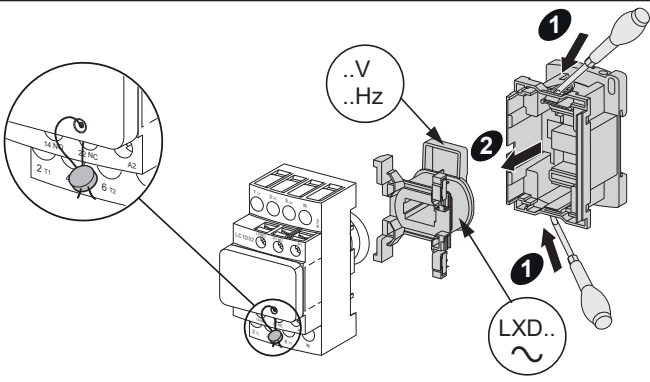


⚠ ⚠ DANGER / 危险

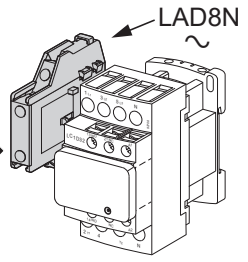
HAZARD OF ELECTRIC SHOCK, EXPLOSION, OR ARC FLASH
 Disconnect all power before servicing equipment.
Failure to follow these instructions will result in death or serious injury.

可能有触电、爆炸或者电弧灼伤的危险
 在此电力设备上进行操作时，请先断开所有电源。
 不遵循上述规定将可能导致人员伤亡。

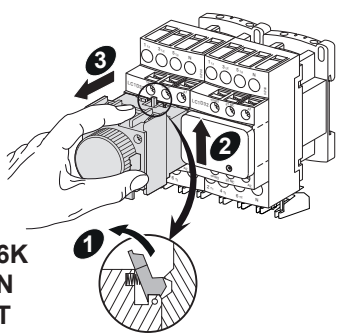
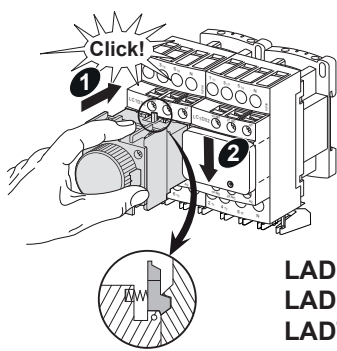
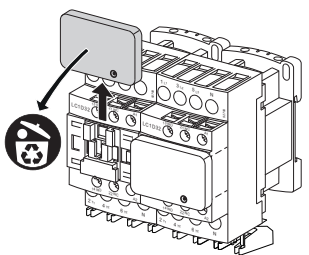


~ : Alternative current coil
 ≡ : Continuous current coil
 LC : Continuous 100mA current coil
 AC/DC : Alternative and continuous current coil

- LADN
~, ≡, LC, AC/DC
- LADN
~, ≡, AC/DC
- LADT
LADR
~, ≡, AC/DC



"For Motor Starting Use Schneider Electric Overload Relay Series LR".
 "电动机起动请使用施耐德电气LR系列过载继电器".



LAD6K
 LADN
 LADT
 LADR