


19040900	DATA SHEET	
Valid from: 17.09.2018	EPIC® H-B 10 TG-RO	

Description

- The smallest housing with single and double lever.
- The right housing is available for every application.



General Characteristics

Series	H-B 10
Version	Hood M20/ M25 (Article 19040700)
Locking	Bolts with plastic rollers for single lever
Cable gland	No
Cable entry	Straight
Protection (DIN EN 60529)	IP 65 (latched)
Protection (NEMA 250, UL50E)	4, 12 (latched)
Temperature Range	-40°C to +100°C, short term up to +125°C

Materials and Surfaces

Housing	Aluminium alloy, powder-coated, grey
Bolt with reels	Heat-treatable steel, zinc-plated / PA


Approvals

VDE-Approval, VDE-REG.-Nr.	B437
----------------------------	------

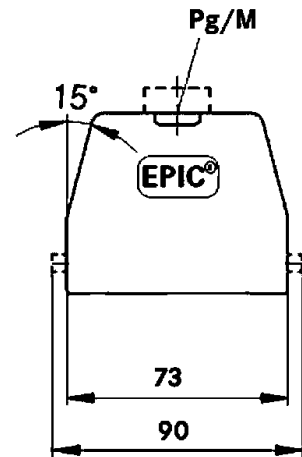
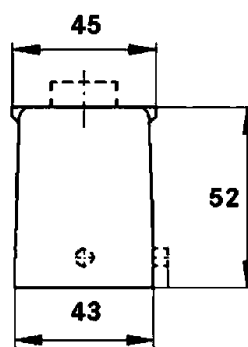
Standard

Safety Standard	IEC 61984
-----------------	-----------

Creator: MANA2/PDP Released: IVSE1/PDP	Document: DB19040900EN Version: 01	Page 1 of 2
---	---------------------------------------	-------------

19040900	DATA SHEET	
Valid from: 17.09.2018	EPIC® H-B 10 TG-RO	

Technical Drawings



Automation



Industrial machinery and plant engineering



Mechanical resistance



Robust



Waterproof

Info

Universal, robust metal housings size H-B 10

Application range

Plant engineering
Light & sound technology
Plastics industry

Remark

Photographs are not to scale and do not represent detailed images of the respective products.

Creator: MANA2/PDP Released: IVSE1/PDP	Document: DB19040900EN Version: 01	Page 2 of 2
---	---------------------------------------	-------------