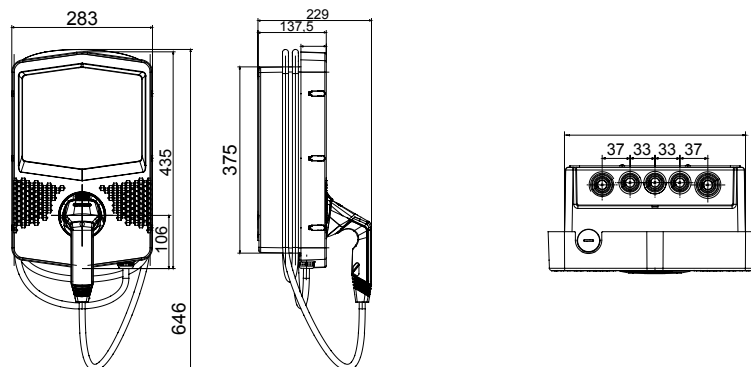




I-CON EVO wallboxes are JOINON solutions designed to integrate into private and semi-public scenarios in compliance with the international standard IEC 61851-1 ed. 3. They feature an elegant and compact design, special "one-hand charge" functionality and the presence of a vandal-proof socket, IP55 degree combined with IK10-certified mechanical resistance, full connectivity to support the dedicated JOINON EVO App for a complete and easy charging control, intelligent load management and energy produced by any photovoltaic panels (also in Master/Slave mode), and different installation options: wall, recessed or floor.

| | | | |
|--------------------------------------|------------------------|-------------------------------|---|
| INPUT | | - Socket/Connector Nr. (Type) | 1 (Type 2 antivandalproof, with shutter) |
| Terminal blocks | 3 x 10 mm ² | Charging activation | Locally managed, via RFID |
| Rated current | 32 A | Human Interface | LED RGB + slide touch display |
| Total power | 7.4 Kilowatt | Connectivity | No |
| OUTPUT | | MECHANICAL FACTS | - |
| Rated voltage | 230 V | Mounting and installation | Wall mounting (floor mounting with support) |
| Current supplied (max) | 32 A | Colour | Dark grey |
| Maximum current | 7.4 Kilowatt | Material | Thermoplastic (Post-industrial origin) |
| Thermal-magnetic protection | Currently not present | External treatments | No |
| Type of residual current protection | Currently not present | IP degree | IP55 |
| Power meter | Yes (Type MID) | Mechanical resistance | IK10 |
| DC Leakage check | Yes | Operating temperature | -25 +50 °C |
| (Auto)restart electrical protections | Currently not present | Customizations | No |

DIMENSIONAL



TECHNICAL SYMBOLOGY

IP **IK**

IP55

IK10

STANDARDS/APPROVALS

