

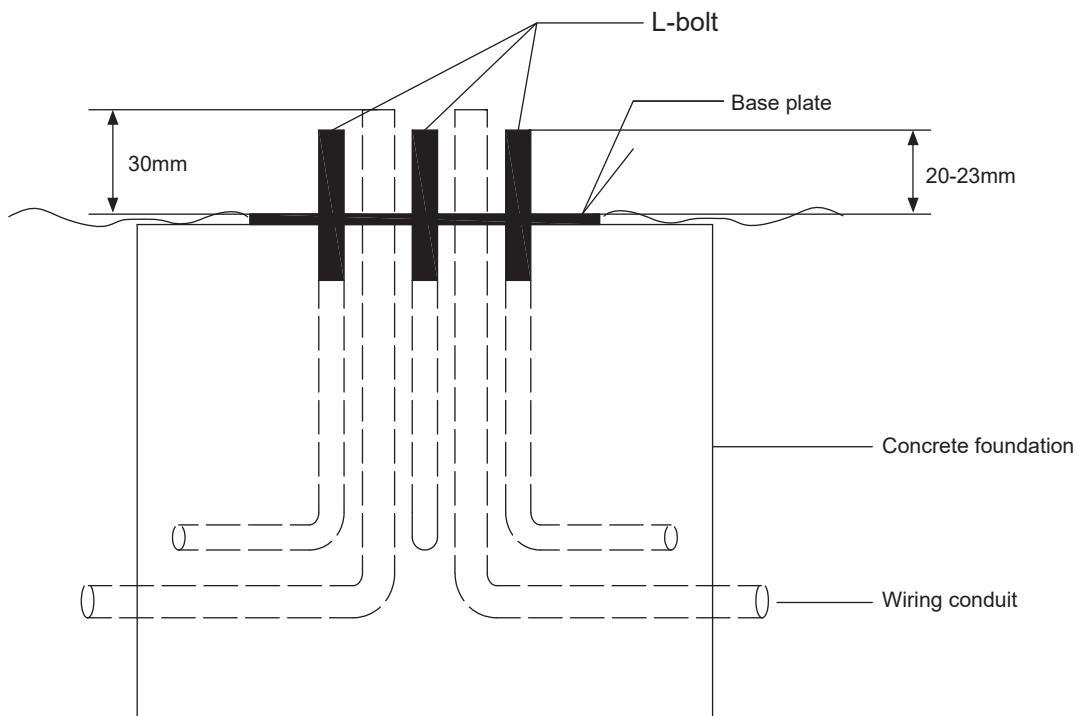
## LEDBollard Concrete-Mounting-Kit

<div style="border: 1px solid black; padding: 5px; display: inline-block;">Item Code</div>		
703098000100	0.25Kg	

Model Name	Ø (mm)	H (mm)
LEDBollard Concrete-Mounting-Kit	160	100

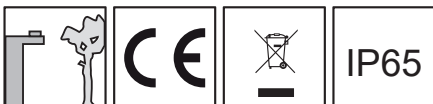
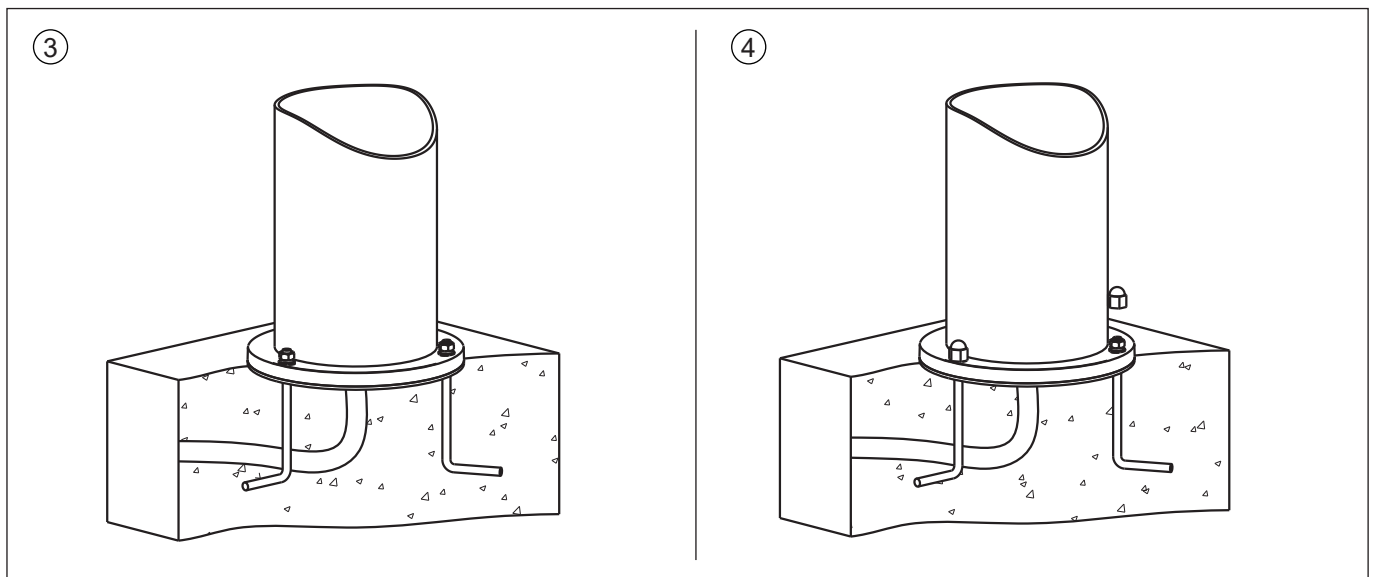
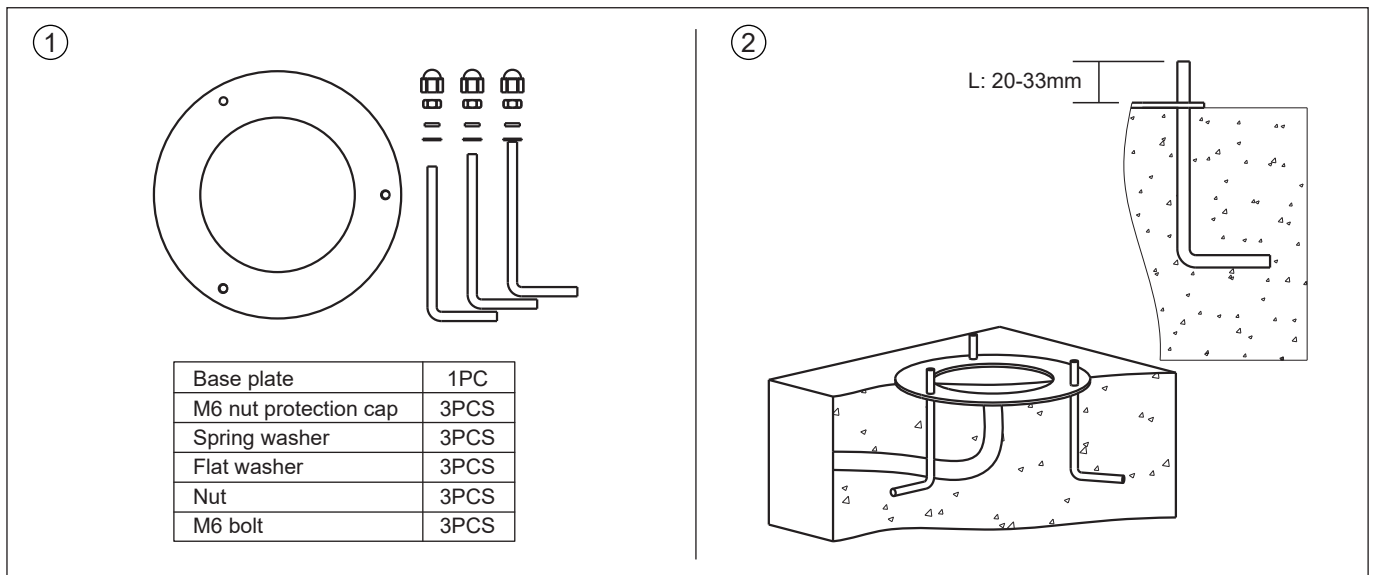
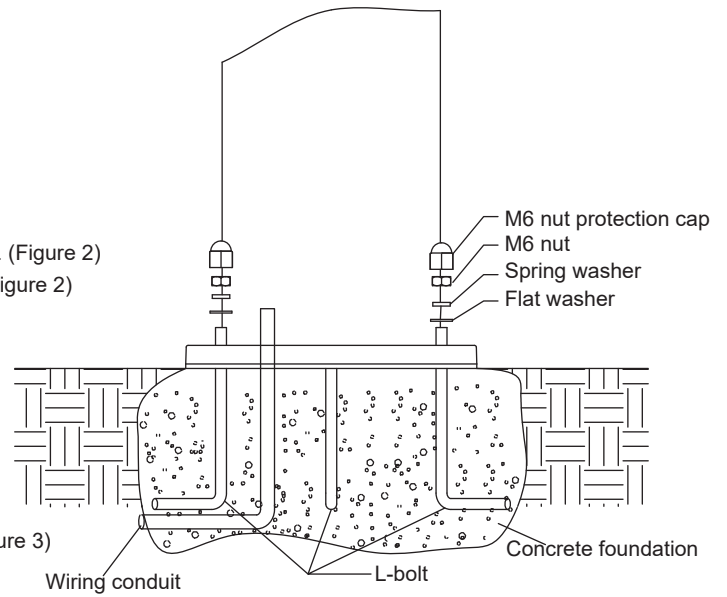
### Caution

1. Only a professional should install this fixture, who should wear protection gloves;
2. The stainless-steel ring plate has no distinction between the front and back side;
3. The cut-out sizes in the concrete: diameter > φ160mm, depth > 100mm
4. The vertical part of the embedded wiring conduit must be within 100mm of the center of the concrete slot, as close as possible to the center;
5. The proportion of concrete should be in accordance with the requirements of the pedestrian road in the "Code for Design of Concrete Structures" of the country where you are located;
6. Please avoid the pre-embedded electric wires when install;



## Installation

1. Carefully count all three sets of screws. (Figure 1)
2. Install three anchor L-bolts in the ring base plate. (Figure 2)
3. Adjust the L-bolts until the bolt threads protrude 20-23mm above the base plate. (Figure 2)
4. Pour concrete in the slot on the ground. (Figure 2)
5. Press the adjusted bolts with the base plate into the concrete until the bottom of the base plate is in full contact with the concrete. (Figure 2)
6. Level the ring base plate horizontally with the aid of a spirit level. (Figure 2)
7. The installation set in concrete shall be covered in raining or snowing weather, until the concrete is fully dry and solid. (Figure 3)
8. After a qualified electrician has connected the electric cables to the bollard, align the corresponding mounting hole of the bollard base with the exposed bolt threads. (Figure 3)
9. Secure the bollard by progressively tightening the three set screws at the bottom of the column with 10mm wrench or spanner, in the order of flat washer, spring washer and the nut. (Figure 3)
10. Tighten the protection caps on the top of the bolts. (Figure 4)



Data subject to change  
 Les données sont sujettes à modifications  
 Änderungen vorbehalten

Opplé Lighting Electronic (Zhongshan) Co., Ltd.  
 Building A, No.275 Dongan Bei Road, Haizhou District,  
 Guzhen Town, Zhongshan City, Guangdong, China.

OPPLE Lighting B.V.  
 Meerenakkerweg 1.11  
 5652 AR Eindhoven  
 The Netherlands  
 service@opple.com  
 www.opple.com