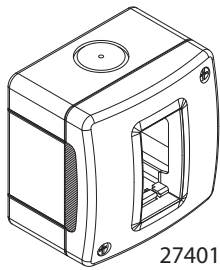
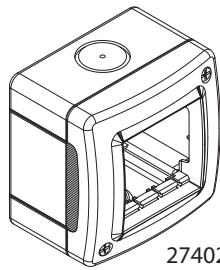


Classia
IP40 wall-mounting enclosures

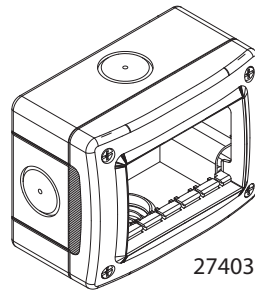
27401 - 27402
27403 - 27404



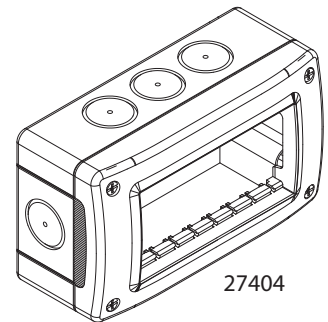
27401



27402



27403



27404

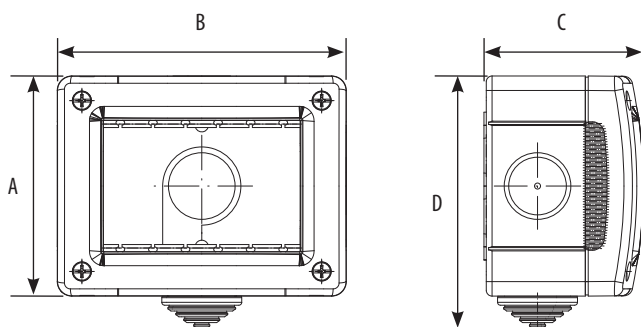
Use

For installation when an IP40 protection degree is required (outdoor, garage, etc).

Range

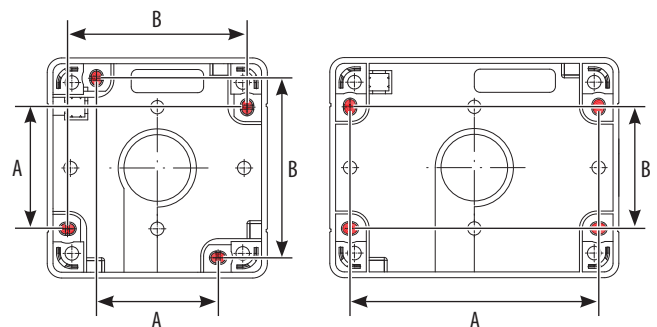
Designation	Item
1 Module	27401
2 Modules	27402
3 Modules	27403
4 Modules	27404

Overall dimensions (mm)



	A	B	C	D
27401	76	76	55	87
27402	76	76	55	87
27403	76	100	55	87
27404	76	132	55	87

Installation



	A	B
27401	42	62
27402	42	62
27403	86	42
27404	118	42

For the box installation please use the dedicated holes with the screws up to Ø 4mm.

Technical characteristics

- **Protection index**
Penetration by solid bodies/liquid: IP40
- **Mechanical characteristics**
Impact test: IK 07
- **Material characteristics**
Material:
Case: ABS.
Halogen free.
UV resistant.
Self-extinguishing: 650° C / 30 s
- **Climatic characteristics**
Storage temperature: - 10° C to + 70° C
Use temperature: - 5° C to + 35° C

Cleaning

Clean the surface with a cloth.
Do not use acetone, tar-removing cleaning agents or trichloroethylene.
Caution: Always test before using special cleaning products.

Standards and approvals

Compliance with standards IEC/EN 60670-1
Refer to e.catalogue.