


53112083	DATA SHEET	
Valid from: 05.09.2022	SKINTOP® MS-M PLUS	

The SKINTOP® MS-M PLUS is a nickel-plated brass cable gland with metric connecting thread which combines high quality regarding consistency and reliability. It is especially designed for use with the EPIC® Powerlock D6 S Connector. Furthermore its application is in manufacturing of machines and equipment, in measuring, controlling as well as in the pharmaceutical industry and for medical equipment. Proven functionality also during hardest cleaning procedures at industrial machinery with high-pressure cleaners and hot water.



Components:

Gland body	Brass, nickel-plated
Cap nut	Brass, nickel-plated
Insert with lamellar cage	Polyamide, V-2 acc. to UL 94
Sealing ring	CR (ozone- and UV-resistant)
O-ring	NBR (ozone- and UV-resistant)

Technical features:

Connecting thread	M32x1,5 and M40x1.5 acc. to DIN EN 60423
Protection class / Standard(s) for Safety	IP 68 – 10bar / 30min acc. to DIN EN 60529 IP 69 acc. to DIN EN 60529 Liquid tight cord grip acc. to UL514B, CSA C22.2 No. 18.3-12 Type 1, Type 4x, Type 6 and Type 12 acc to UL 50E, CSA C22.2 No. 94.2-15
Strain relief	Category A according to DIN EN 62444
Temperature range	Dynamic -25°C up to +100°C Static -40°C up to +100°C
Corrosion protection	Salt spray test (168 H. / 35°C) acc. to DIN EN ISO 9227


Other characteristics:

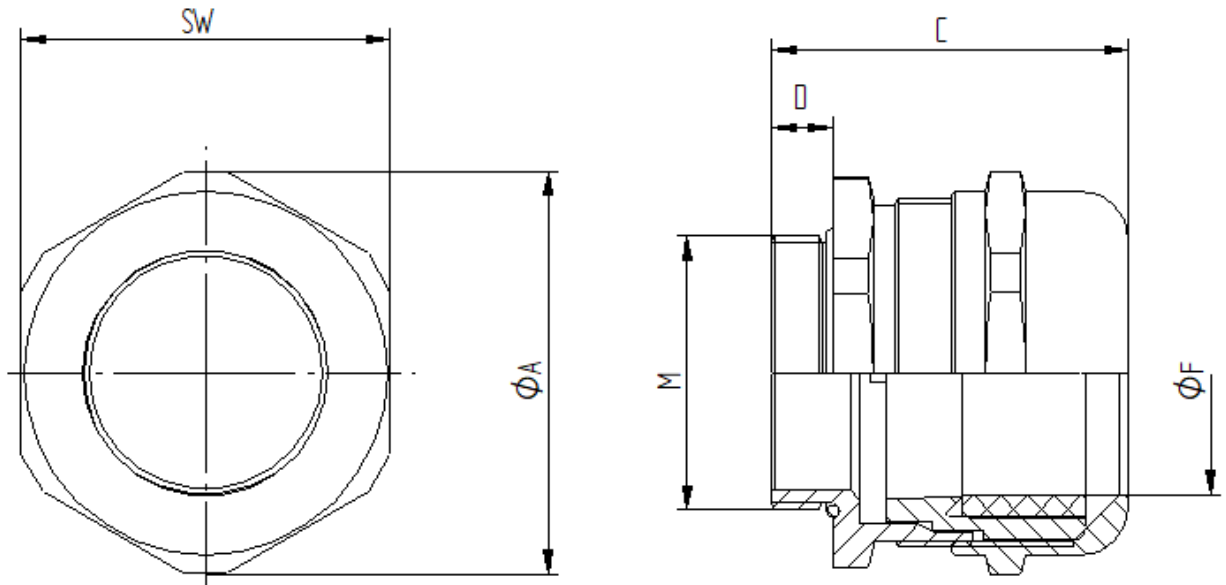
- Maximum reliability
- Optimal strain relief
- Large, variable clamping ranges

Norm references:



Creator: DAMU1/PDP Released: DAMU1/PDP	Document: DB53112083EN Version: 04	Page 1 of 2
---	---------------------------------------	-------------

53112083	DATA SHEET	
Valid from: 05.09.2022	SKINTOP® MS-M PLUS	



SKINTOP® MS-M40x1,5 PLUS

M	SW [mm]	Ø A [mm]	C max. [mm]	D [mm]	Ø F [mm] Clamping range	O-Ring [mm]	Art. Nr.
M32x1,5	45	49,5	48,0	9,0	19-28*	28x2	53112116
M40x1,5	54	59,0	55,5	9,0	27-35*	36x2	53112083

*If assembled correctly (see assembly manual)

Creator: DAMU1/PDP Released: DAMU1/PDP	Document: DB53112083EN Version: 04	Page 2 of 2
---	---------------------------------------	-------------