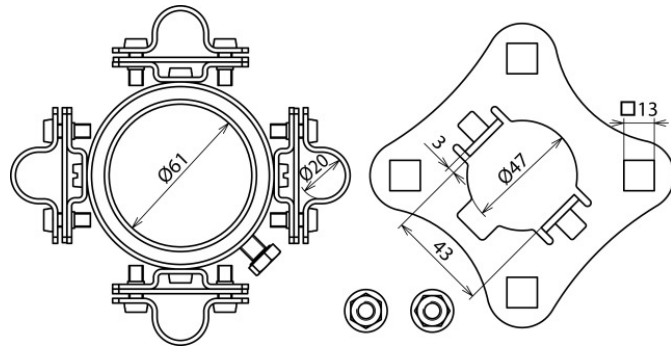


**BFS D61 4X20 (819 294)**



Figure without obligation



Fixing kit for installation of the HVI long Conductor on HVI supporting tubes, consisting of a connection plate (for four conductors, incl. two serrated lock nuts) and a fixing ring with four slotted conductor holders (Ø20 mm) for the sealing end (incl. two cable ties).

Type	BFS D61 4X20
Part No.	819 294
Material	StSt / Al
Diameter Ø fixing ring	61 mm
Connection plate support	square hole 13 mm
Conductor holder	4 x 20 mm
Standard	DIN IEC/TS 62561-8 (VDE V 0185-561-8)
Weight	701 g
Customs tariff number	85389099
GTIN	4013364152571
PU	1 Stk

We reserve the right to introduce changes in performance, configuration and technology, dimensions, weights and materials in the course of technical progress. The figures are shown without obligation.