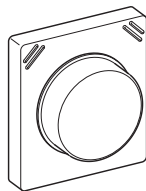


Central plate of comfort rotating regulator for universal super dimmer insert

Operating instructions



Art. no. MTN5678., MTN5677.

For your safety



DANGER

Risk of fatal injury from electrical current.

The device may only be installed and connected by trained electricians. Please observe the relevant regulations in your own country.

Getting to know the comfort rotating regulator

With the central plate of comfort rotating regulator for universal super dimmer insert (called the **comfort rotating regulator** below), you can switch and dim ohmic, capacitive or inductive loads in connection with the universal super dimmer insert. The comfort rotating regulator comes with a rotary knob and four operating surfaces for other functions.

By pressing or turning the rotary knob, you can switch connected loads on and off. By turning the rotary knob, you can dim connected loads. The dimming speed depends on the rotational speed.

You can perform the following functions with the operating surfaces:

- Calling up and saving brightness values
- Switching orientation light on and off
- Activating/deactivating energy-saving function

There are light segments arranged around the rotary knob that show the set brightness value. The memory function retains the brightness level that was last set.



The memory function can be turned off using an extension unit on the universal super dimmer insert as described in the instructions for the universal super dimmer insert.



CAUTION

The device could be damaged.

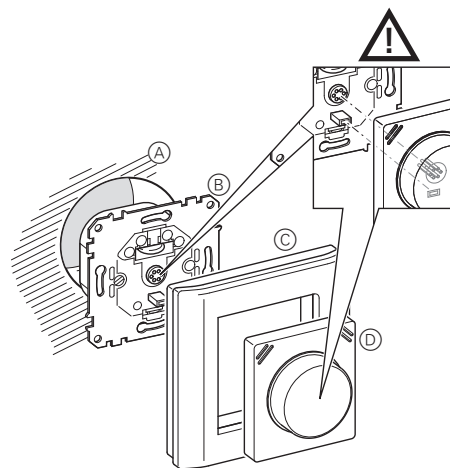
When used with the comfort rotating regulator, the universal super dimmer insert requires a minimum load of 40 W for ohmic loads and 60 W for inductive or capacitive loads. If the minimum load is not reached, the comfort rotating regulator might not function.

Completing the comfort rotating regulator

Complete the comfort rotating regulator with the universal super dimmer insert (art. no. MTN577099). You will also require a frame in the corresponding design.

Mounting the comfort rotating regulator

Figure 1:



- ① Wire and mount the universal super dimmer insert (B) in the switch box (A) as described in the instructions for the insert.
- ② Insert the comfort rotating regulator (D) onto the frame (C).



CAUTION

Bending the contact pins.

The contact pins on the rear of the comfort rotating regulator can become bent if tilted excessively. Therefore always mount the comfort rotating regulator as straight as possible.



Make sure that the positioning pin of the universal super dimmer insert (B) goes into the recess on the back of the comfort rotating regulator (D).

- ③ Fit the comfort rotating regulator (D) with frame (C) onto the universal super dimmer insert (B).

Removing the comfort rotating regulator

Figure 1:

- ① Pull the comfort rotating regulator (D) with frame (C) away from the universal super dimmer insert (B).



Dismantling the rotating regulator by pulling the rotary knob is not possible.

Setting up the comfort rotating regulator

After installation:

- ① Switch on the mains voltage.

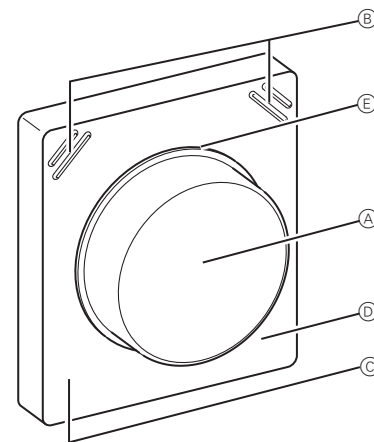
Load detection is carried out as described in the instructions for the universal super dimmer insert.



After each interruption of the mains voltage, a load detection is carried out again.

Displays and operating elements

Figure 2:



- (A) Rotary knob
- (B) Operating surfaces for calling up and saving brightness values
- (C) Operating surface for switching the orientation light on and off
- (D) Operating surface for activating and deactivating the energy-saving function
- (E) Light segments for displaying the set brightness value and as an orientation light

Operating the comfort rotating regulator



All saved values are lost when there is a mains failure (> 2-3 s). The settings in the comfort rotating regulator are set back to the factory default settings.

Operating the comfort rotating regulator directly using the

- rotary knob and the four operating surfaces on the comfort rotating regulator itself

Operating the comfort rotating regulator indirectly using a

- sensor cover on an electrical extension unit
- mechanical extension unit (conventional push-button)

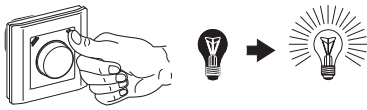
Switching/dimming connected loads



- **Switching on:** Briefly press the rotary knob or turn it clockwise
- **Switching off:** Briefly press the rotary knob or turn it a quarter of the way around counter-clockwise after having reached the minimum brightness level
- **Dimming brighter:** Turn the rotary knob clockwise
- **Dimming darker:** Turn the rotary knob counter-clockwise

The dimming speed depends on the rotational speed. Turning the rotary knob quickly speeds up dimming to the desired brightness and turning the knob slowly slows it down.

Recalling/saving brightness values



- **Calling up:** Briefly press the operating surface (< 2 s)

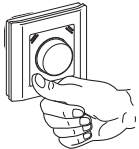
The operating surfaces in the upper left/right have been preset at the factory. The left operating surface is preset to 30% brightness and the right one to 50%.

- **Saving** (current brightness value): Briefly press the operating surface (> 2 s)

The light segments on the comfort rotating regulator and the connected loads are switched off for 1 second for the signalling purposes and then switched back on with the new saved brightness. The new value is successfully saved.

Switching orientation light on and off

When the load is switched off, the two upper light segments function as an orientation light.

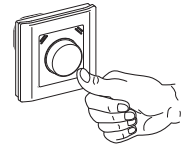


- **Switching on and off:** Press and hold down the operating surface in the lower left (> 2 s) with the load switched off

The orientation light comes **switched on** from the factory.

Activating/deactivating energy-saving function

The energy-saving function limits setting the brightness to about 80%.



- **Activate/deactivate:** Press and hold down the operating surface in the lower right (> 5 s) with the load switched on

The last light segment on the comfort rotating regulator flashes to signal the change.

If the energy-saving function is activated, the last light segment goes out and the connected load dims to about 80% brightness. However, if the energy-saving function is deactivated, the light segment remains on and the connected load dims to maximum brightness. The energy-saving function comes **deactivated** from the factory.



When the energy-saving function is activated, higher brightness values for the operating surfaces in the upper left/right are only called up with a maximum of 80%. However, higher values can be set using the extension input of the universal super dimmer insert.

What should I do if there is a problem?

The operating surfaces of the comfort rotating regulator no longer perform the previously set functions and the saved brightness value.

Check the following:

- There is a mains failure. In this case, the device loses all the saved values. The settings in the device are reset to the factory default settings. Set the values again.
- The comfort rotating regulator must be initialised. Disconnect the comfort rotating regulator from the mains for a short while.
- The comfort rotating regulator is defective. Replace the device.

Problems that may occur due to the universal super dimmer insert are described in the instructions for the insert.

Technical data

Minimum load of the universal super dimmer insert used together with the comfort rotating regulator:

Ohmic load:	40 W
Capacitive load:	60 W
Inductive load:	60 W
Operating elements:	Rotary knob 4 operating surfaces
Display elements:	Light segments

Schneider Electric Industries SAS

If you have technical questions, please contact the Customer Care Center in your country.

www.schneider-electric.com

This product must be installed, connected and used in compliance with prevailing standards and/or installation regulations. As standards, specifications and designs develop from time to time, always ask for confirmation of the information given in this publication.