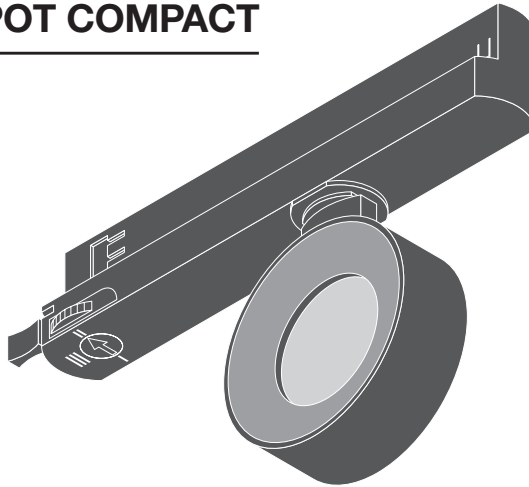
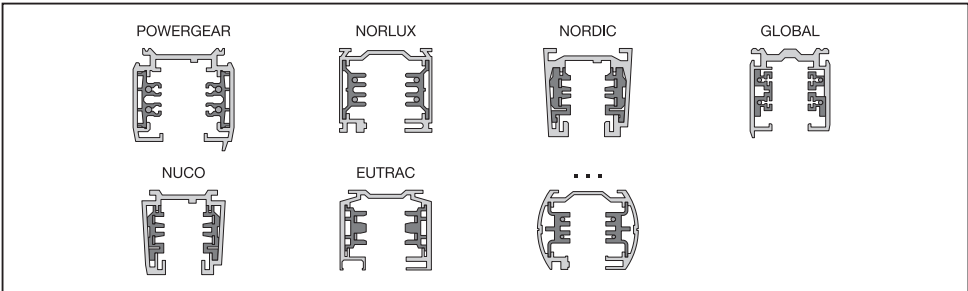
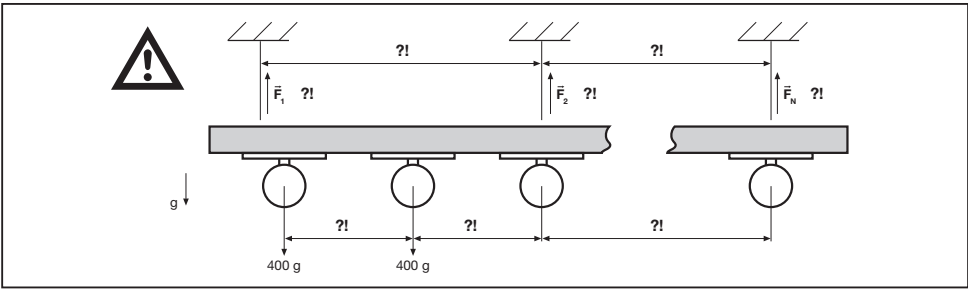
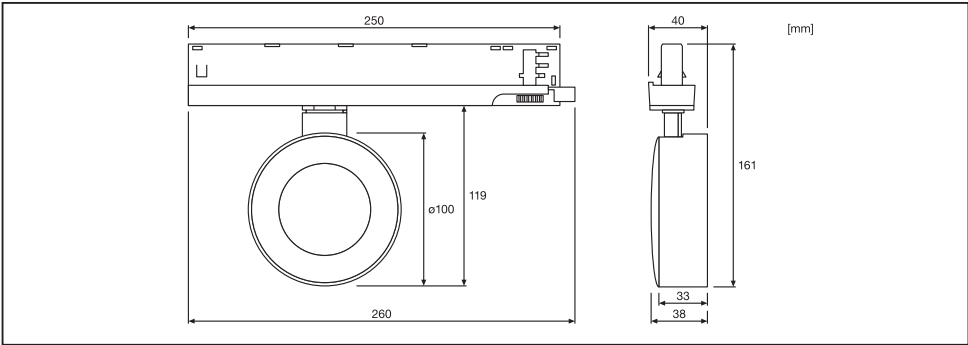
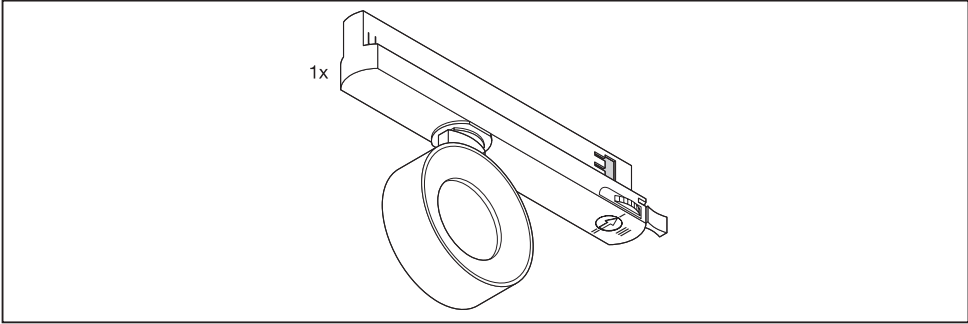


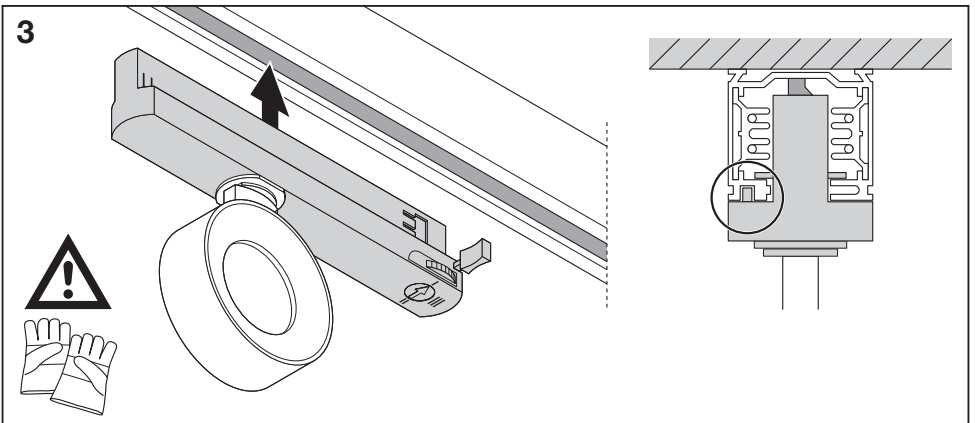
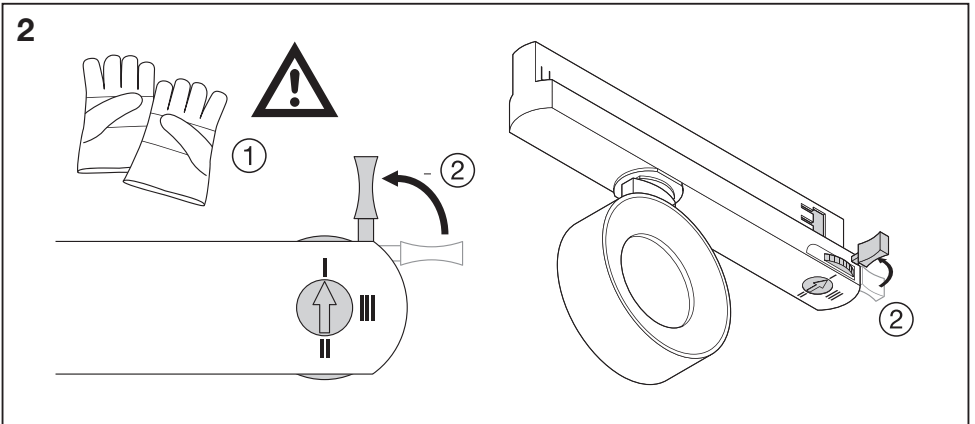
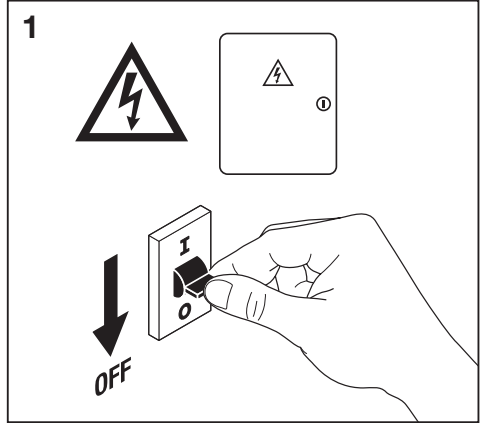
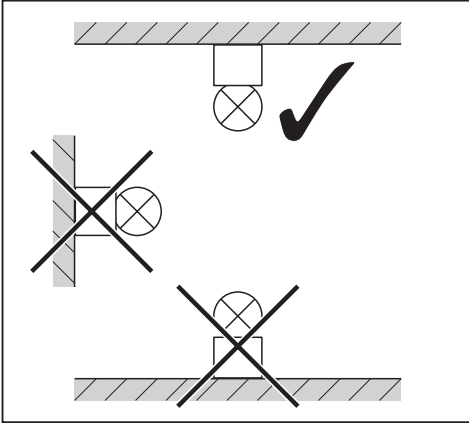
TRACKLIGHT SPOT COMPACT

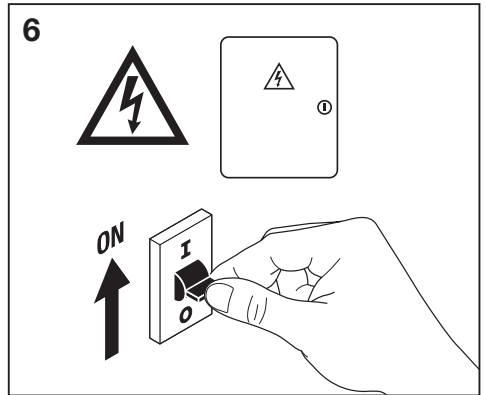
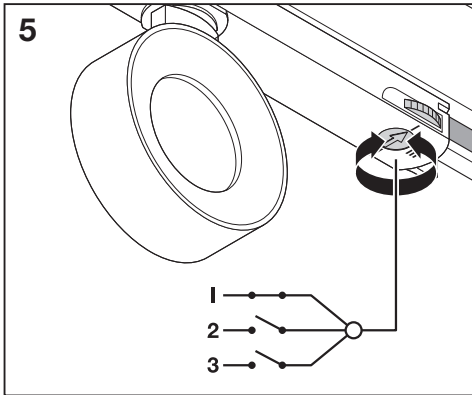
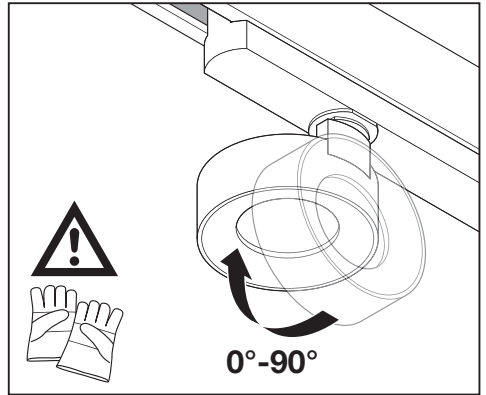
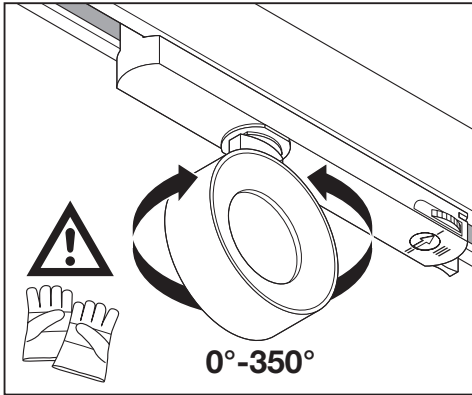
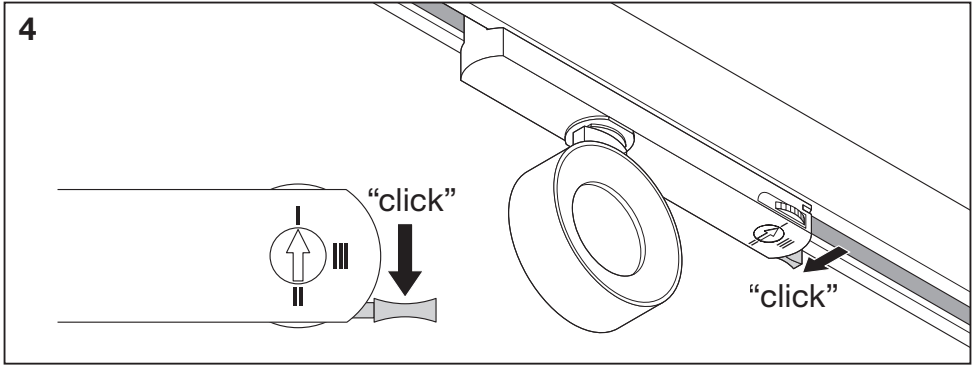


	EAN	l x w x h [mm]	W	VAC	Hz	lm	lm/W	K
TR SP COM D100 28W/3000K 90R NFL WT	4058075335844	40x161x260	28	220-240V	50/60Hz	2280	80	3000
TR SP COM D100 28W/3000K 90R FL WT	4058075335868	40x161x260	28	220-240V	50/60Hz	2200	80	3000
TR SP COM D100 28W/4000K 90R NFL WT	4058075335882	40x161x260	28	220-240V	50/60Hz	2380	85	4000
TR SP COM D100 28W/4000K 90R FL WT	4058075335905	40x161x260	28	220-240V	50/60Hz	2300	80	4000
TR SP COM D100 28W/3000K 90R NFL BK	4058075335929	40x161x260	28	220-240V	50/60Hz	2280	80	3000
TR SP COM D100 28W/3000K 90R FL BK	4058075335943	40x161x260	28	220-240V	50/60Hz	2200	80	3000
TR SP COM D100 28W/4000K 90R NFL BK	4058075335967	40x161x260	28	220-240V	50/60Hz	2380	85	4000
TR SP COM D100 28W/4000K 90R FL BK	4058075335981	40x161x260	28	220-240V	50/60Hz	2300	80	4000
TR SP COM D100 28W/3000K 90R NFL GY	4058075336001	40x161x260	28	220-240V	50/60Hz	2280	80	3000
TR SP COM D100 28W/3000K 90R FL GY	4058075336025	40x161x260	28	220-240V	50/60Hz	2200	80	3000
TR SP COM D100 28W/4000K 90R NFL GY	4058075336049	40x161x260	28	220-240V	50/60Hz	2380	85	4000
TR SP COM D100 28W/4000K 90R FL GY	4058075336063	40x161x260	28	220-240V	50/60Hz	2300	80	4000

	EAN	IP	IK	∇	R _a	Temp (°C)	PF	Weight
TR SP COM D100 28W/3000K 90R NFL WT	4058075335844	20	03	25°	90	-20...+35	>0.9	0.4kg
TR SP COM D100 28W/3000K 90R FL WT	4058075335868	20	03	36°	90	-20...+35	>0.9	0.4kg
TR SP COM D100 28W/4000K 90R NFL WT	4058075335882	20	03	25°	90	-20...+35	>0.9	0.4kg
TR SP COM D100 28W/4000K 90R FL WT	4058075335905	20	03	36°	90	-20...+35	>0.9	0.4kg
TR SP COM D100 28W/3000K 90R NFL BK	4058075335929	20	03	25°	90	-20...+35	>0.9	0.4kg
TR SP COM D100 28W/3000K 90R FL BK	4058075335943	20	03	36°	90	-20...+35	>0.9	0.4kg
TR SP COM D100 28W/4000K 90R NFL BK	4058075335967	20	03	25°	90	-20...+35	>0.9	0.4kg
TR SP COM D100 28W/4000K 90R FL BK	4058075335981	20	03	36°	90	-20...+35	>0.9	0.4kg
TR SP COM D100 28W/3000K 90R NFL GY	4058075336001	20	03	25°	90	-20...+35	>0.9	0.4kg
TR SP COM D100 28W/3000K 90R FL GY	4058075336025	20	03	36°	90	-20...+35	>0.9	0.4kg
TR SP COM D100 28W/4000K 90R NFL GY	4058075336049	20	03	25°	90	-20...+35	>0.9	0.4kg
TR SP COM D100 28W/4000K 90R FL GY	4058075336063	20	03	36°	90	-20...+35	>0.9	0.4kg







C10449057
G11075664
26.06.19



LEDVANCE GmbH
Steinerne Furt 62
86167 Augsburg, Germany
www.ledvance.com