

Product Data Sheet

GWR5176V

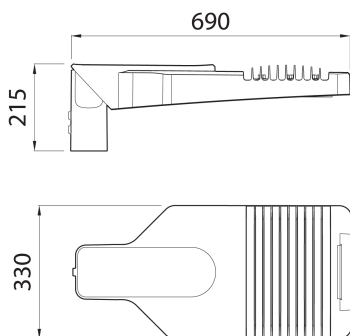
ROAD [5] Range



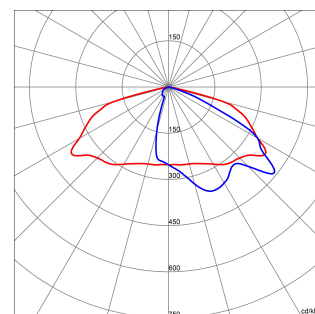
High-power LED streetlight with cover, frame, and pole attachment in EN AB 46100 die-cast aluminium with low copper content, with polyester powder coating. Suitable for installation both on top of the pole and offset, with 5° pitch adjustment. Opening and closing system with integrated front handle. Closure fabricated in tempered flat glass (thickness 4 mm). Cable input via PG13.5. Safety switch. Cable plate in PA6.6+PV. Printed Circuit Board (PCB) in metal core. Metallic PC optic system. Common mode surge protection up to 10 kV. Operational up to 50°C ambient temperature but with reduction of the supply current as indicated in the Instruction Manual.

| GENERAL INFORMATION | | OPTIC AND ILLUMINATING FEATURES | |
|-----------------------------------------|---------------------------------------------------|-------------------------------------|--------------------------------------------------|
| Context | Street and parking lighting | Optic | HUGE |
| Luminaire | LED Road Equipment | Unified Glare Rating | G*4 - ULOR = 0 |
| Application | External | Lumen output (lm) | 20700 |
| Unique digital code (Datamatrix) | Currently not present | Efficacy (lm/W) | 135 |
| Colour | Graphite grey | Colour temperature | 4000 K |
| Type of light source | LED | Colour Rendering Index | CRI>70 |
| System power | 153 W @ 0,7A | Standard Deviation Colour Matching | SDCM = 5 |
| LED Lifetime | L90B10(Tq25°C)>115.000h; L90B10 (Tq50°C)=115.000h | Photobiological Risk Class | RG0 |
| Weight (kg) | 9.1 | Standard | EN 60598-2-3, EN 60598-1 IEC/TR 62778 |
| Warranty | 5 years | ELECTRICAL AND LIGHTING FEATURES | |
| Stocking temperature | - | Supply voltage | 220 - 240 V |
| Operating temperature | -25 +50 °C | Rated frequency (Hz) | 50 / 60 |
| MATERIALS | | Driver failure rate | F10 = 100.000h Tq25°C/50.000h Tq50°C |
| Body | Die-cast aluminium | Driver | Included |
| Shield type | 4mm thick flat tempered glass | Overvoltage protection | DM 10KV / CM 10KV |
| Optic | Silver PVD aluminium reflector | Control System | DALI - 5 STEP |
| Gasket | Anti-aging silicone | INSTALLATION AND MAINTENANCE | |
| Locking Hook | Integrated front handle | Mounting and installation | Pole Head - Outreach |
| External screw | Stainless steel | Tilt | -20° ÷ +10° side bracket - -10° ÷ +20° pole head |
| Colour | Powder coating | Wiring | Isolating switch |
| STANDARDS AND APPROVALS | | Fixing | Pole Head - Outreach |
| Classification | - | Light source replaceability | By professional |
| Device with reduced surface temperature | - | Controlgear replaceability | By professional |
| DIN 18032-3 certification | - | Driver Box | Built-in |
| IPEA | - | Maximum surface exposed to the wind | 0.19 m² |
| Insulation class | II | | |
| IP degree | IP66 | | |
| Mechanical resistance | IK08 | | |
| Glow Wire Test | - | | |

DIMENSIONAL



PHOTOMETRIC DISTRIBUTION



TECHNICAL SYMBOLOGY



IP
IP66

IK
IK08

GWT
-

Product Data Sheet

GWR5176V

ROAD [5] Range

STANDARDS/APPROVALS

