

## SpaceLogic KNX Power supply REG, 24 V DC / 0.4 A

Operating instructions



Art. no. MTN693003

### For your safety

#### ⚠️ DANGER

#### HAZARD OF ELECTRIC SHOCK, EXPLOSION, OR ARC FLASH

Safe electrical installation must be carried out only by skilled professionals. Skilled professionals must prove profound knowledge in the following areas:

- Connecting to installation networks
- Connecting several electrical devices
- Laying electric cables
- Safety standards, local wiring rules and regulations

**Failure to follow these instructions will result in death or serious injury.**

#### ⚠️ CAUTION

#### The device may be damaged!

- Always operate the product in compliance with the specified technical data.
- Safety clearance must be guaranteed as per DIN EN 60664-1. A distance of at least 4 mm must be maintained between individual cores of the 230 V cable and the bus line.
- All devices that are mounted next to the power supply unit must at least be equipped with basic insulation!

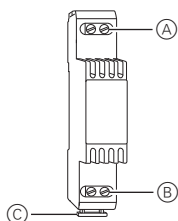
**Failure to follow these instruction can result in equipment damage.**

### Getting to know the power supply

The power supply unit REG, DC 24 V/0,4 A (referred to below as the Power supply) delivers extra-low safety voltage (SELV) of DC 24 V to supply devices with a maximum current consumption of 0.4 A.

It is intended to be installed on a DIN rail TH 35 according to DIN EN 60715.

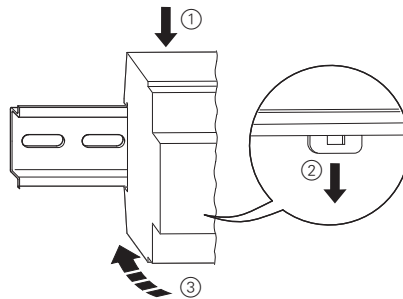
### Connections, displays and operating elements



- Ⓐ Upper connection terminals (+ and -)
- Ⓑ Lower connection terminals (L and N)
- Ⓒ Clamping spring

### Mounting the power supply

- 1 Insert the power supply into the DIN rail with the clamping spring facing down and suspend it in the rail.



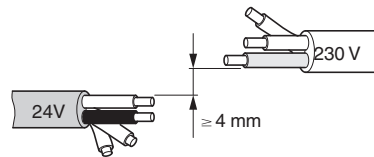
- 2 Connect the DC 24 V.

#### ⚠️ CAUTION

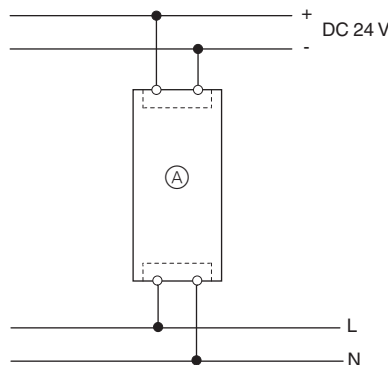
#### The device may be damaged!

- If there are any AC 230 V cables in the vicinity, be sure to maintain the distances between them specified in the applicable standards and regulations.

**Failure to follow these instruction can result in equipment damage.**



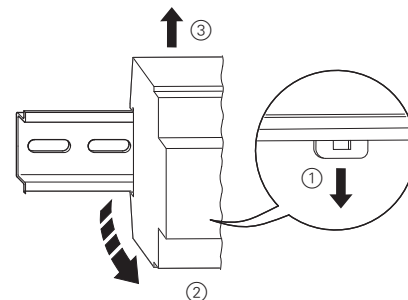
- 3 Connect the mains voltage.



Ⓐ Power supply

### Dismantling the power supply

- i** Pull out the clamping spring (e.g. with a screwdriver) first to remove the power supply from the DIN rail..



### Technical data

Mains input:	AC 230 V, 50 Hz
Output voltage:	DC 24 V
Output current:	0.4 A
Ambient temperature:	-20 °C to +40 °C
Connections:	Screw-on terminals for 0.5 - 2.5 mm <sup>2</sup>
Installation width:	1 pitch
Dimensions (HxWxD):	17.5 x 92 x 68.1 mm

### Schneider Electric -Contact

Schneider Electric Industries SAS  
35 rue Joseph Monier  
Rueil Malmaison 92500  
France

If you have technical questions, please contact the Customer Care Centre in your country.

[se.com/contact](http://se.com/contact)

**UK  
CA**

**UK Representative**  
Schneider Electric Limited  
Stafford Park 5  
Telford, TF3 3 BL, UK