



# Ledinaire SlimDownlight

## DN065B G4 LED12/830\_840\_865 12W D150 RD

Ledinaire SlimDownlight, All-in, 12 W, D150 mm, 1200 lm, 3000 K, 4000 K, 6500 K, Beam angle 110°, White, IP20/44

The LEDINAIRE range contains a selection of popular off-the-shelf LED luminaires that come with the high Philips quality levels at a competitive price. Reliable, energy-efficient and affordable – just what you need

### Product data

General Information		All-in Type	
Light source replaceable	No		All-in, Multi Color Temperature
Driver included	Yes	<b>Operating and Electrical</b>	
Lighting Technology	LED	Input Voltage	220 to 240 V
Value ladder	Value	Line Frequency	50 or 60 Hz
Warranty period	3 years	Input Frequency	50 or 60 Hz
<b>Light Technical</b>		Inrush current	3.85 A
Luminous Flux	1,200 lm	Power Consumption	12 W
Correlated Color Temperature (Nom)	3000 4000 6500 K	Power Factor (Fraction)	0.9
Luminous Efficacy (rated) (Nom)	100 lm/W	Connection	Screw connection block 2-pole
Color rendering index (CRI)	80	Number of products on MCB of 16 A type B	74
Light source color	Multi Color Temperature	Protection class IEC	Safety class II
Optic type	Beam angle 110°	Total harmonic distortion	30 %
Luminaire light beam spread	110°	<b>Controls and Dimming</b>	
Unified glare rating CEN	28	Dimmable	No
Photobiological safety according to EN 62471	RG0	Driver/power unit/transformer	Power supply unit (On/Off)

# Ledinaire SlimDownlight

Constant light output	No
<b>Mechanical and Housing</b>	
Housing Material	Metal-Plastic
Reflector material	-
Housing Color	White
Overall length	175 mm
Overall width	175 mm
Overall height	45 mm
Overall diameter	175 mm
Dimensions (Height x Width x Depth)	45 x 175 x 175 mm
Ingress protection code	IP20/44 [Finger-protected; wire-protected, splash-proof]
Mech. impact protection code	IK03 [0.3 J]
Net Weight (Piece)	0.210 kg

## Approval and Application

Flammability mark	For mounting on normally flammable surfaces
CE mark	Yes
EU RoHS compliant	Yes
Flickering value (PstLM) - Flickering value as per EN 61000-3-3	0.7
Stroboscopic effect visibility measure (SVM)	0.4
Ambient temperature range	-20 to +40 °C

## Initial Performance (IEC Compliant)

Luminous flux tolerance	+/-10%
Initial chromaticity	(0.44, 0.403) SDCM≤5
Power consumption tolerance	+/-10%
Standard Deviation of Colour Matching (McAdam ellipse)	SDCM≤5

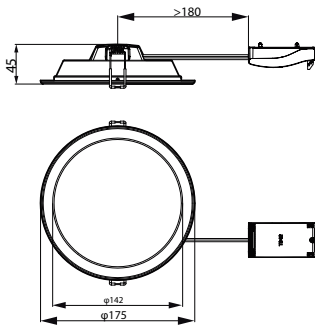
## Over Time Performance (IEC Compliant)

Lumen maintenance (EN-IEC 62722-2-1) at median useful life* 50000 h	L65
---	-----

## Product Data

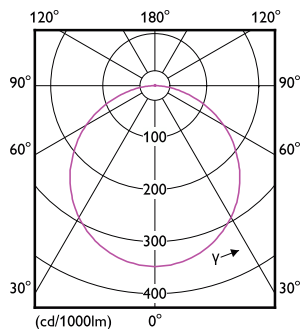
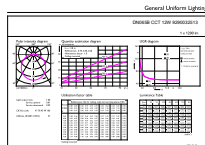
Order product name	DN065B G4 LED12/830_840_865 12W D150 RD
Full product name	DN065B G4 LED12/830_840_865 12W D150 RD
Full product code	871951446443800
Order code	929003251332
Material Nr. (12NC)	929003251332
Numerator - Quantity Per Pack	1
EAN/UPC - Product/Case	8719514464438
Numerator - Packs per outer box	12
EAN/UPC - Case	8719514464445

## Dimensional drawing



# Ledinaire SlimDownlight

## Photometric data



General uniform lighting - DN065B G4 LED12/830\_840\_865 12W D150 RD

Light Distribution Diagram - DN065B G4 LED12/830\_840\_865 12W D150 RD

