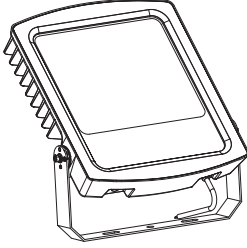
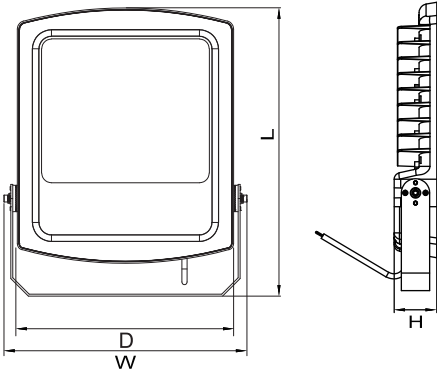
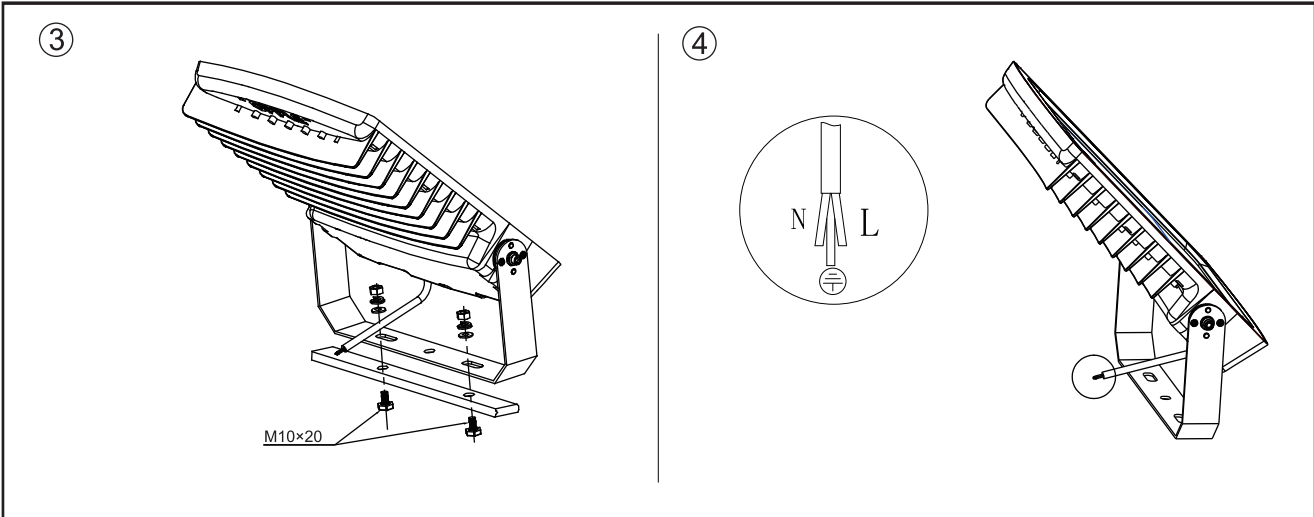
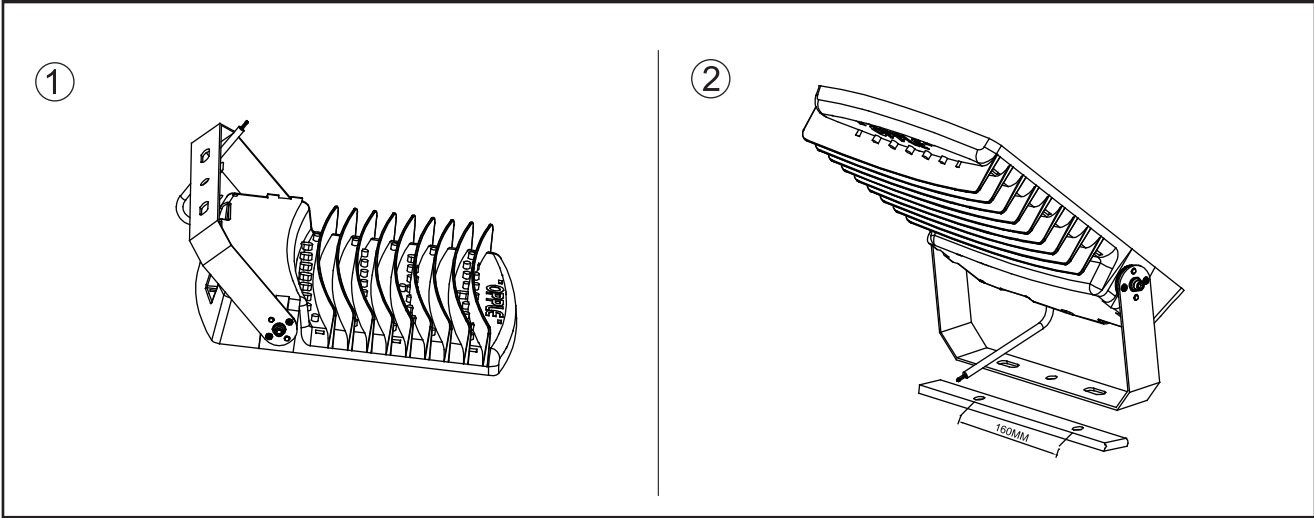


## LED Floodlight Performer

Item Code	CCT	kg
140062030	4000K	6.2
140062031	4000K	6.2
140062032	4000K	6.25
140062033	4000K	6.25
140062034	4000K	6.3
140062035	4000K	6.3

Model	L (mm)	W (mm)	H (mm)	D (mm)	Rated Voltage	Frequency	Rated Power
LED FL-P R440-90W	440	371	65	330	220-240V~	50/60Hz	90W
LED FL-P R440-125W	440	371	65	330	220-240V~	50/60Hz	125W
LED FL-P R440-160W	440	371	65	330	220-240V~	50/60Hz	160W





In case of broken glass the luminaire should be disposed of.

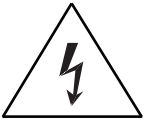


In case of damage to the wire, it has to be replaced only by the manufacturer, distributor or by an expert, to avoid risks.

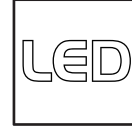
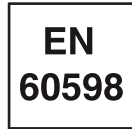
Caution: Any operation on LED module is forbidden while power-on.

Zur Vermeidung von Risiken müssen defekte Leitungen ausschließlich vom Hersteller, Inverkehrbringer oder Fachmann ausgetauscht werden.

Achtung: In Betrieb ist keine Arbeit am LED-Modul erlaubt.



The light source of this luminaire is not replaceable; when the light source reaches its end of life the whole luminaire shall be replaced.



Data subject to change  
Les données sont sujettes à modifications  
Änderungen vorbehalten

Opplé Lighting Electronic (Zhongshan) Co., Ltd.  
528422  
Building A, No.275 Dongan Bei Road,  
Haizhou District, Guzhen Town,  
Zhongshan City, Guangdong, China.

OPPLE Lighting B.V.  
Materiaalweg 6-6A  
5681 RJ Best  
The Netherlands  
service@opple.com  
www.opple.com