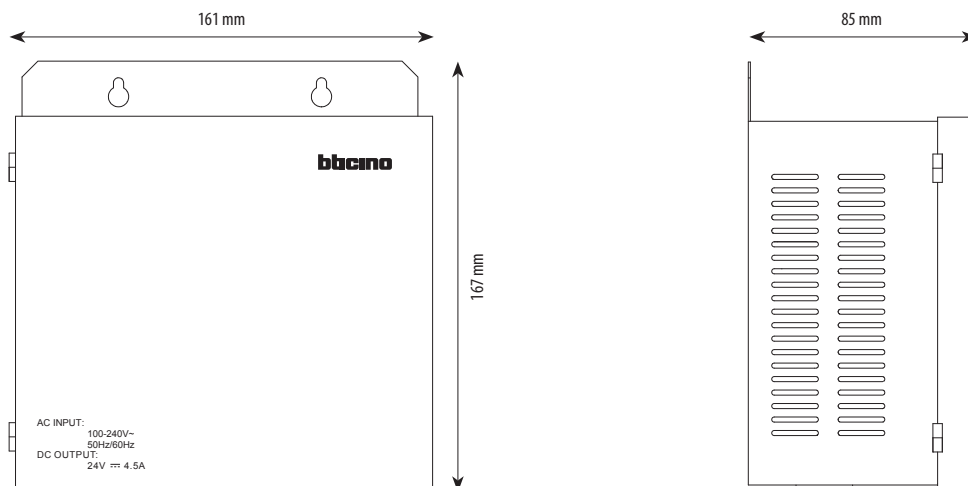
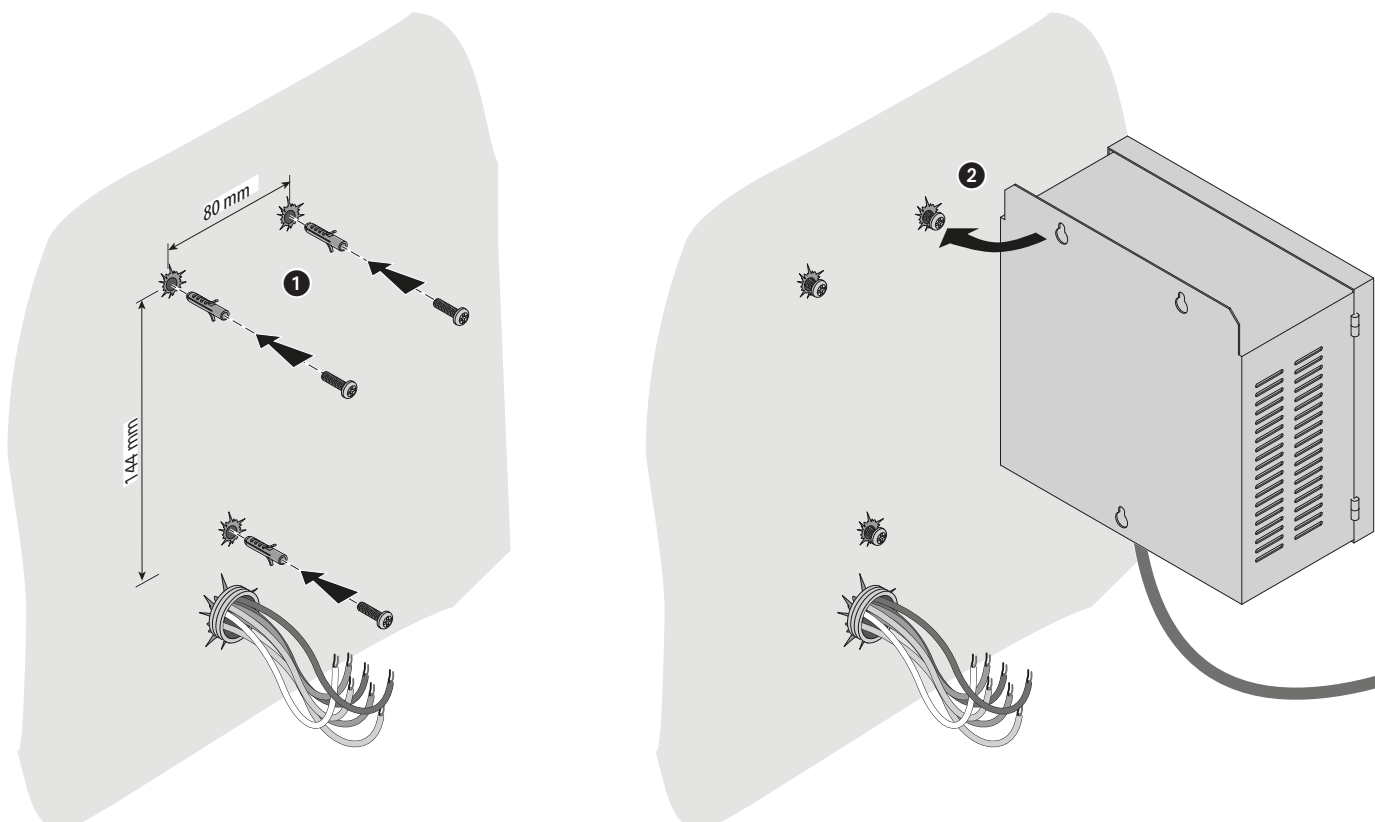


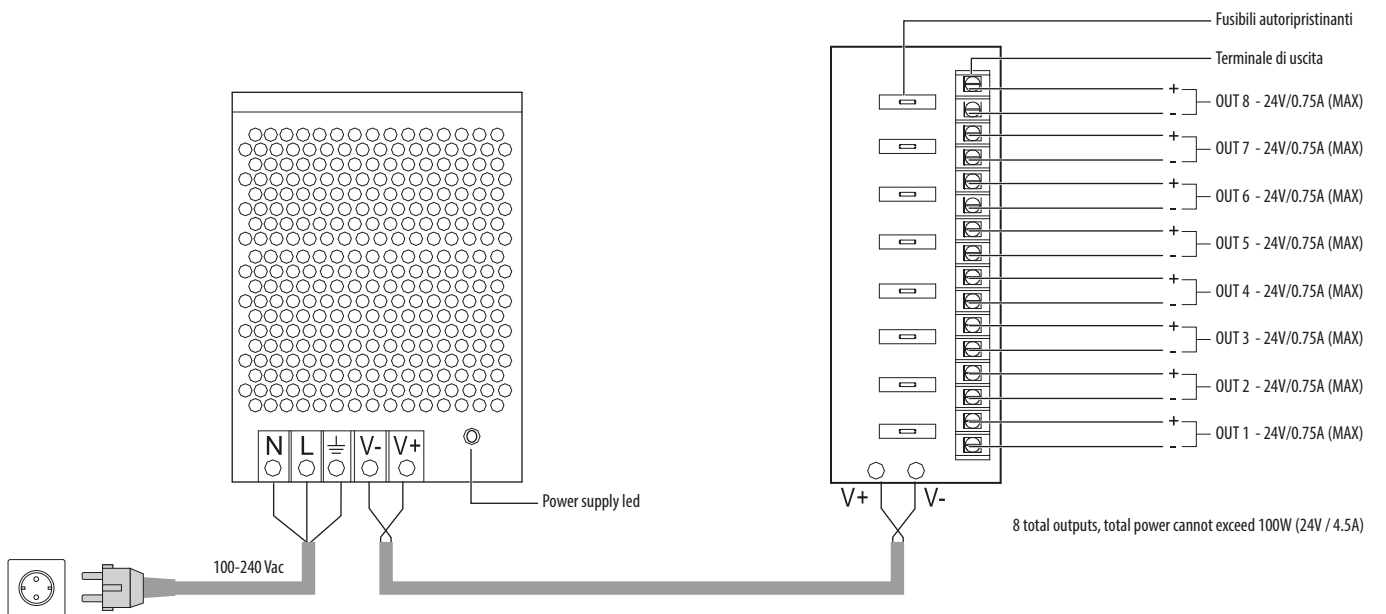
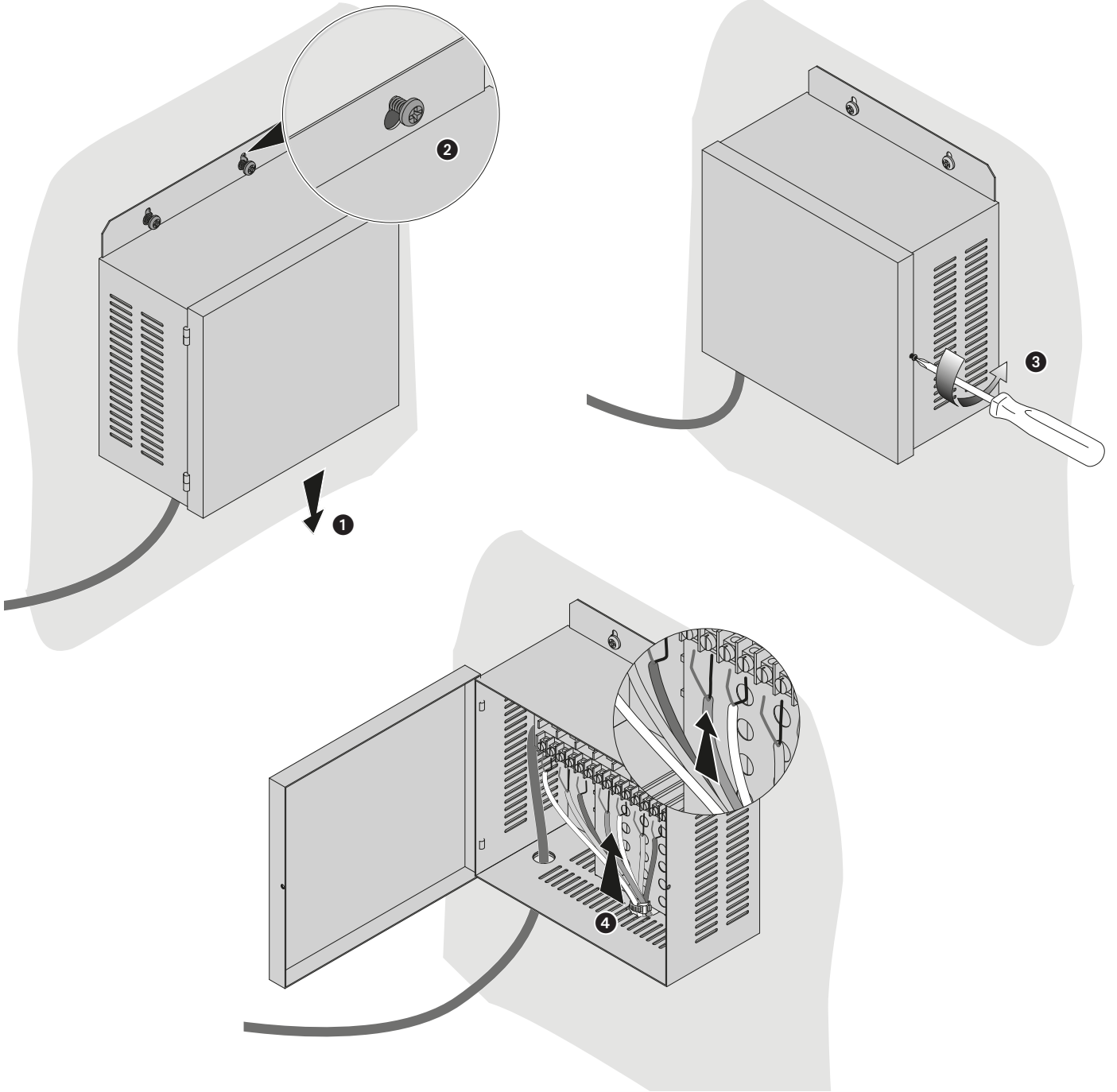
Dimensional data

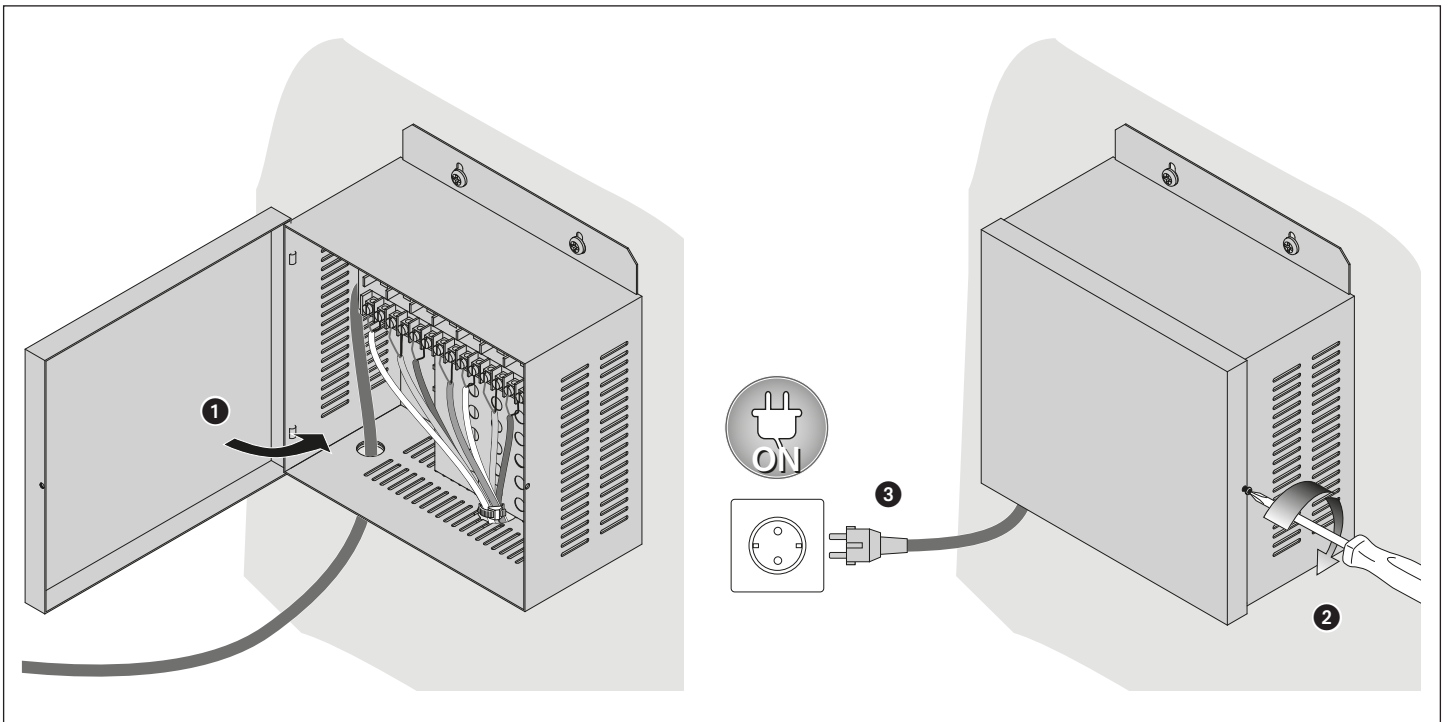


To ensure correct operation, install indoors in a location protected from rain and away from heat sources, at a minimum distance of 100 mm (4 sides and front) from other objects, partitions or walls.

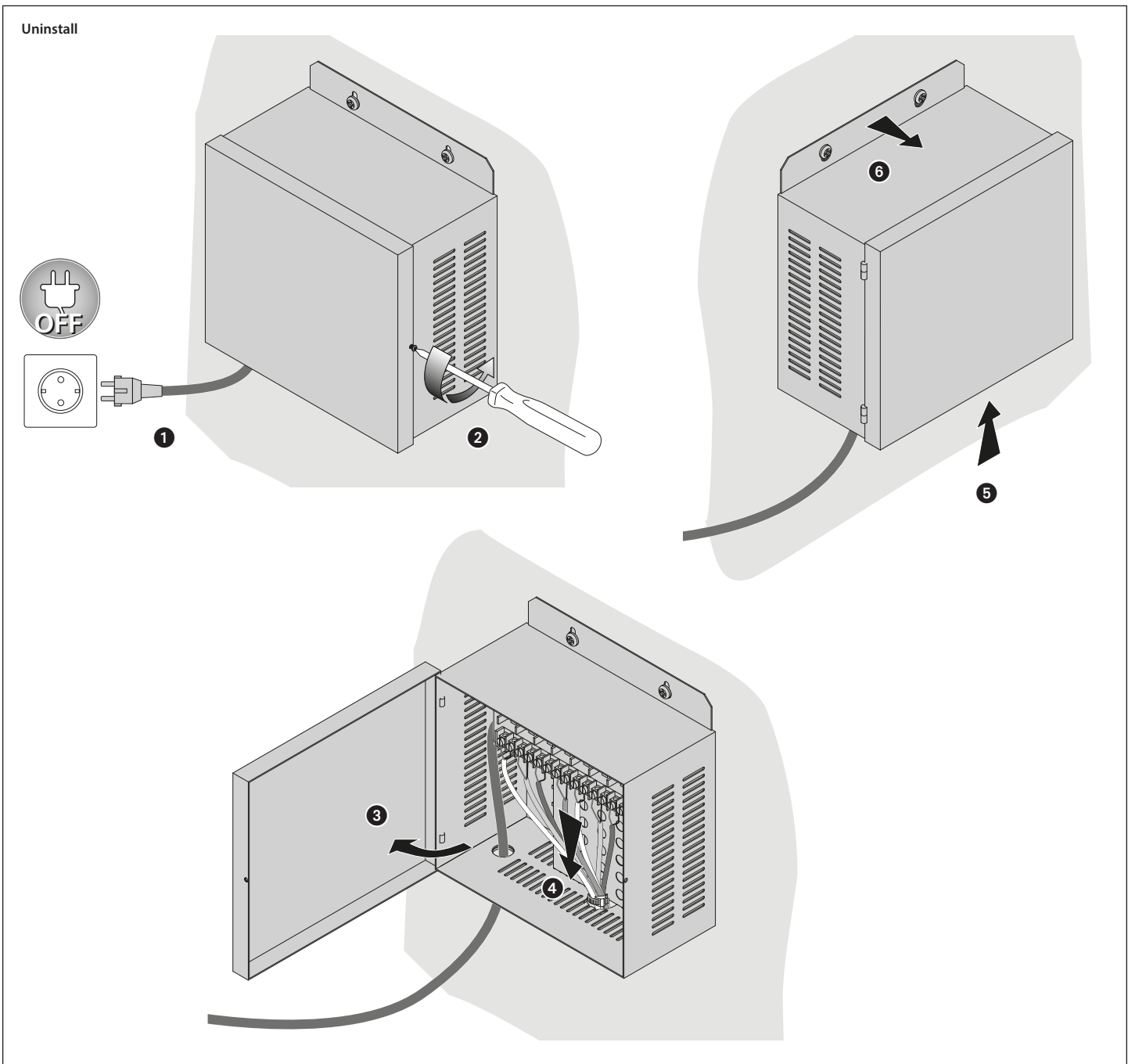
Installation







Uninstall



Technical data

Voltage	100 – 240 Vac
Output Voltage	24 Vdc; 4.5A
Max. cable section	1.3 mm ²
Operating temperature	(- 10) – (+ 55) °C
IP degree of protection	IP30
Maximum relative humidity	93%
Operating frequency	50 – 60 Hz

Warnings and consumer rights



Read carefully before use and keep for future reference

Touching the units with wet hands is forbidden
Using liquid cleaners or aerosols is forbidden
Blocking the ventilation openings is forbidden
Modifying the devices is forbidden



Removing protective parts from the devices is forbidden
Installing the units near liquids and powders is forbidden
Installing the units near heat sources is forbidden
Installing the units near harmful gases, metal dusts or similar is forbidden
Fastening the units on unsuitable surfaces is forbidden



Danger of electrical shock



Risk of devices falling because the surface on which they are installed collapses or inappropriate installation
Switch the power supply OFF before any work on the system

Caution: Installation, configuration, starting-up and maintenance must be performed exclusively by qualified personnel.



Check that the wall installation has been carried out correctly
Lay out the wires respecting the standards in force
Connect the power supply wires as indicated
Use only the items indicated in the technical specifications for any system expansions