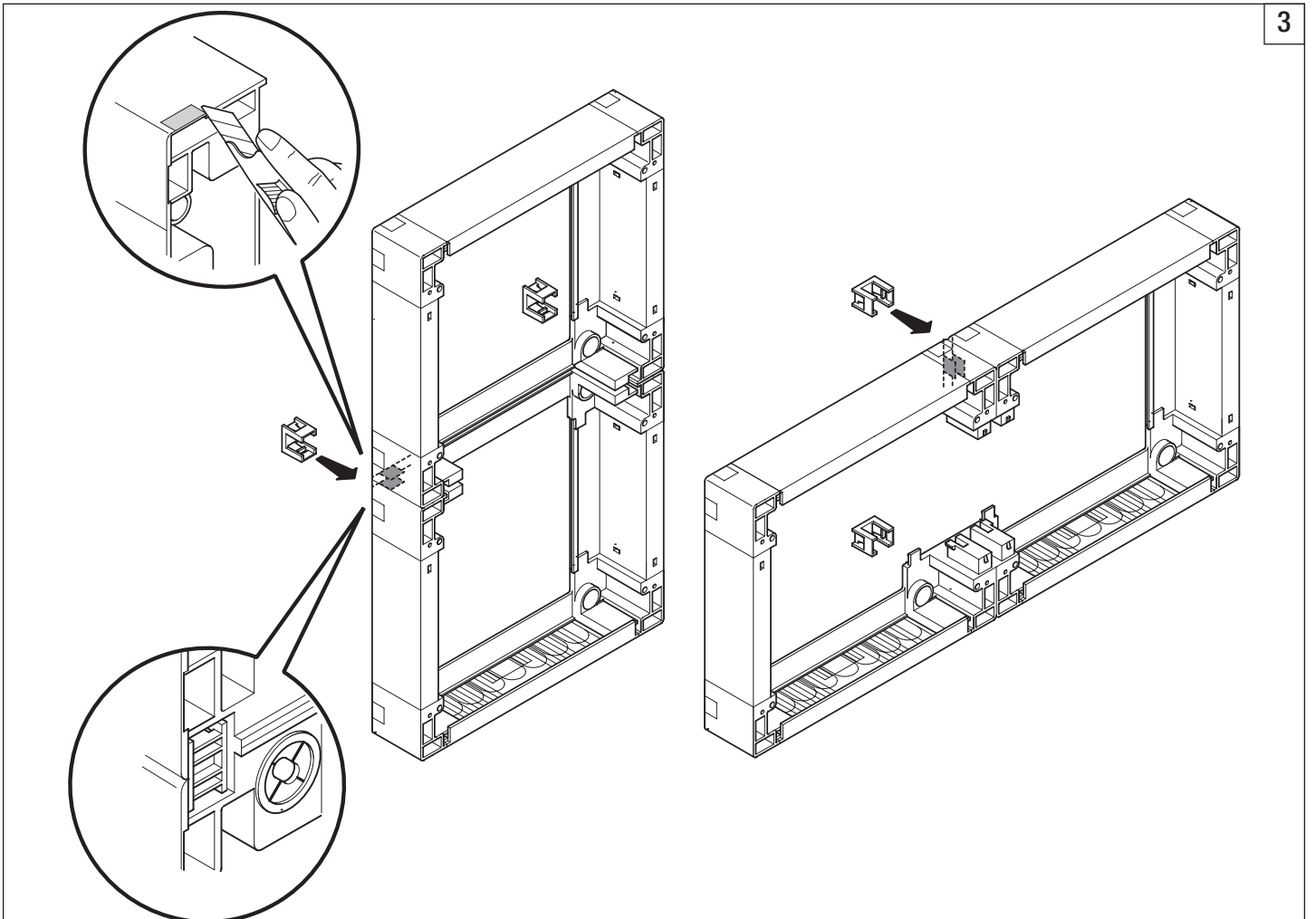
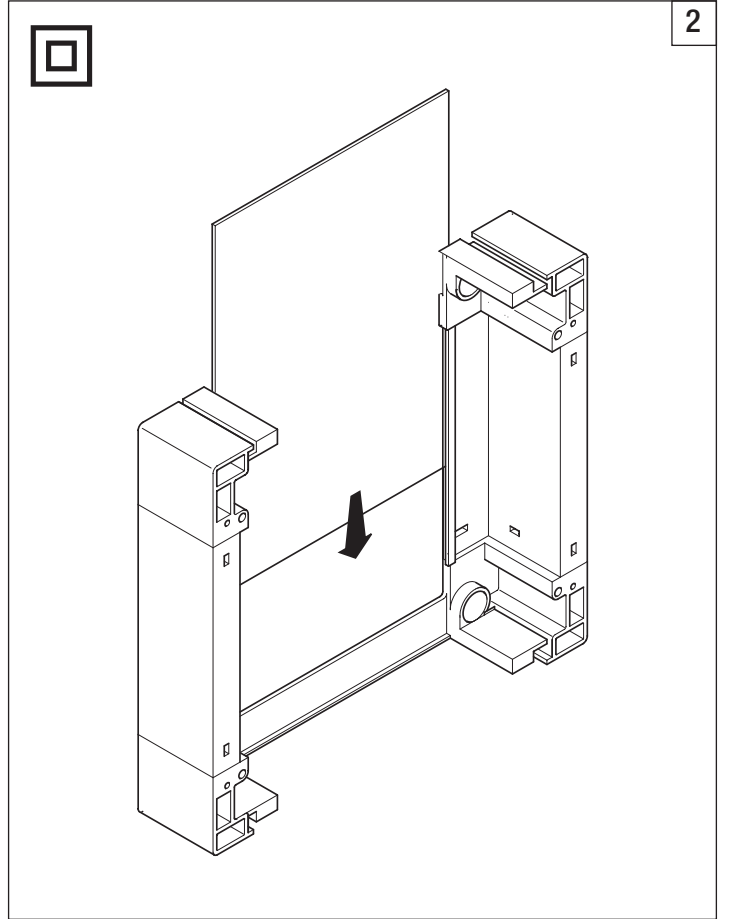
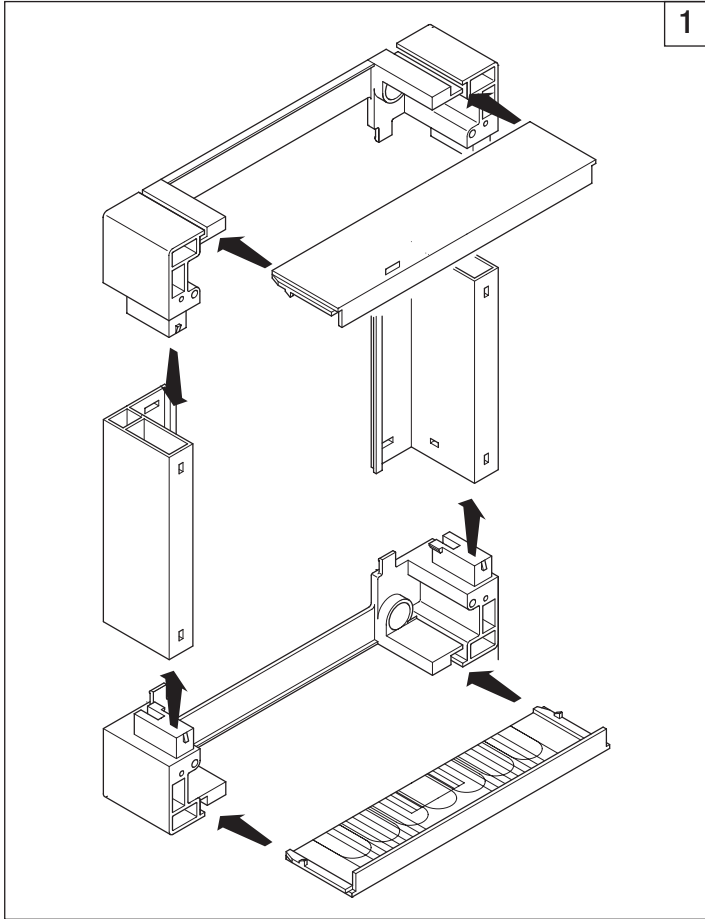
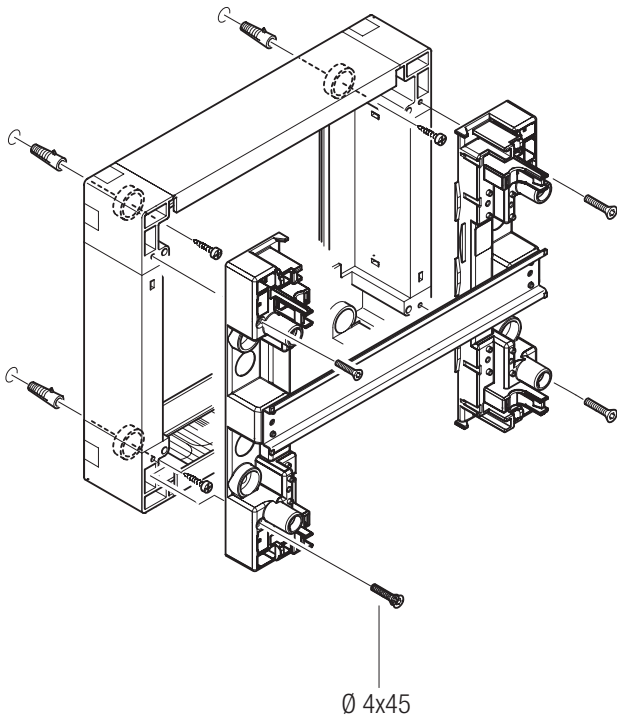


	<b>GW 40 561</b> 250x25x113,5 13M	<b>GW 40 562</b> 250x350x123,5 26M		<b>GW 40 576</b> 250x225x123,5	
	<b>GW 40 563</b> 250x475x123,5 39M	<b>GW 40 564</b> 250x600x123,5 52M		<b>GW 40 577</b> 250x225x138,5	
	<b>GW 40 566</b> 250x225x123,5 13M	<b>GW 40 567</b> 250x350x123,5 26M		<b>GW 40 578</b> 250x225x123,5	
	<b>GW 40 568</b> 250x475x123,5 39M	<b>GW 40 569</b> 250x600x123,5 52M		<b>GW 40 579</b> 250x225x138,5	
	<b>GW 40 501</b> 250x225x93,5 13M	<b>GW 40 502</b> 250x350x93,5 26M		<b>GW 40 541</b> 250x225x83,5	
	<b>GW 40 503</b> 250x475x93,5 39M	<b>GW 40 504</b> 250x600x93,5 52M		<b>GW 40 542</b> 250x225x83,5	
	<b>GW 40 516</b> 250x225x93,5	<b>GW 40 517</b> 250x350x50		<b>GW 40 546</b>	
	<b>GW 40 518</b> 250x475x50	<b>GW 40 519</b> 250x600x50		<b>GW 40 422</b>	
	<b>GW 40 531</b> 250x225x34	<b>GW 40 532</b> 250x350x34		<b>GW 40 422</b>	
	<b>GW 40 533</b> 250x475x34	<b>GW 40 534</b> 250x600x34		<b>GW 40 515</b> 250x225x112	
	<b>GW 40 536</b> 250x225x34	<b>GW 40 537</b> 250x350x34		<b>GW 40 515</b> 250x225x112	
	<b>GW 40 538</b> 250x475x34	<b>GW 40 539</b> 250x600x34		<b>GW 40 530</b> 244x219x2	
	<b>GW 40 526</b> 156x216x2	<b>GW 40 527</b> 156x341x2		<b>GW 40 530</b> 244x219x2	
	<b>GW 40 528</b> 156x466x2	<b>GW 40 527</b> 156x591x2		<b>GW 40 591</b>	
	<b>GW 40 511</b> 250x225x40			<b>GW 40 591</b>	
	<b>GW 40 512</b> 250x225x55			<b>GW 40 592</b>	
	<b>GW 40 571</b> 250x225x123,5			<b>GW 40 593</b>	
	<b>GW 40 572</b> 250x225x138,5			<b>GW 40 594</b>	
	<b>GW 40 573</b> 250x225x123,5			<b>GW 40 552</b> 270x480x110	<b>GW 40553</b> 270x610x110
	<b>GW 40 574</b> 250x225x138,5			<b>GW 40 554</b> 270x730x110	<b>GW 40 555</b> 270x860x110
	<b>GW 40 513</b> 250x225x40			<b>GW 40 557</b> 340x540x20	<b>GW 40 558</b> 340x670x20
	<b>GW 40 514</b> 250x225x55			<b>GW 40 559</b> 340x790x20	<b>GW 40 560</b> 340x920x20

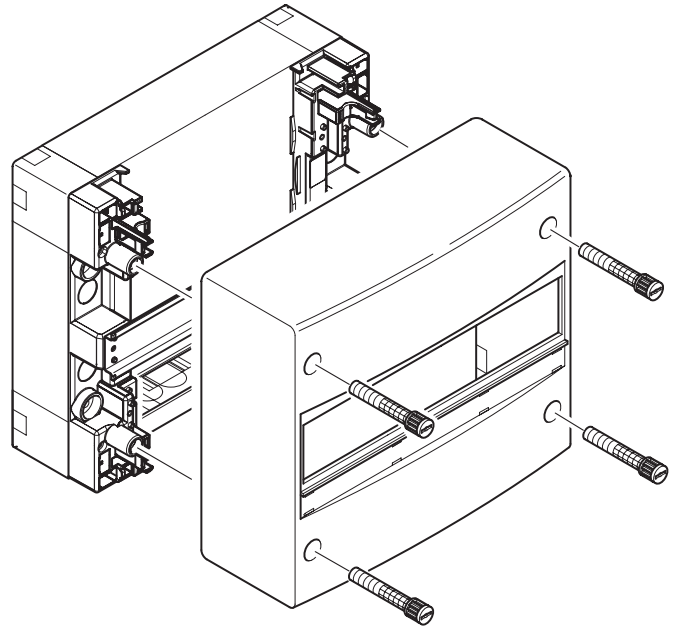




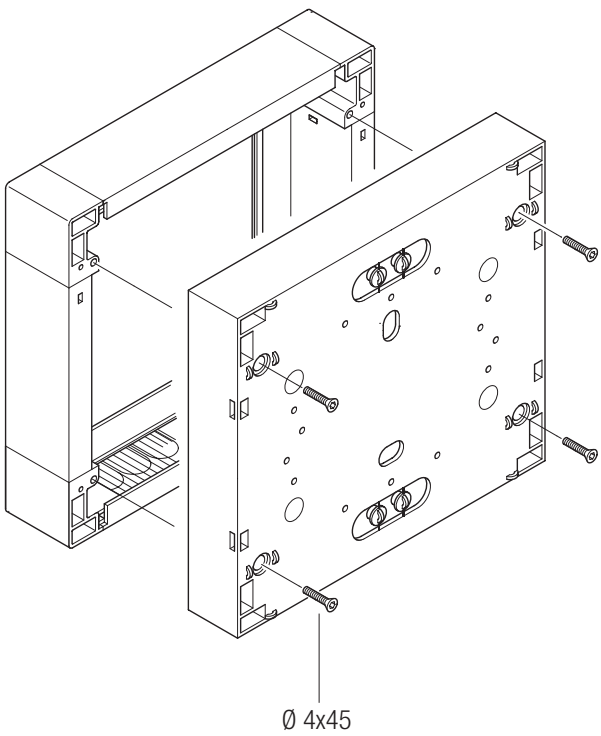
4



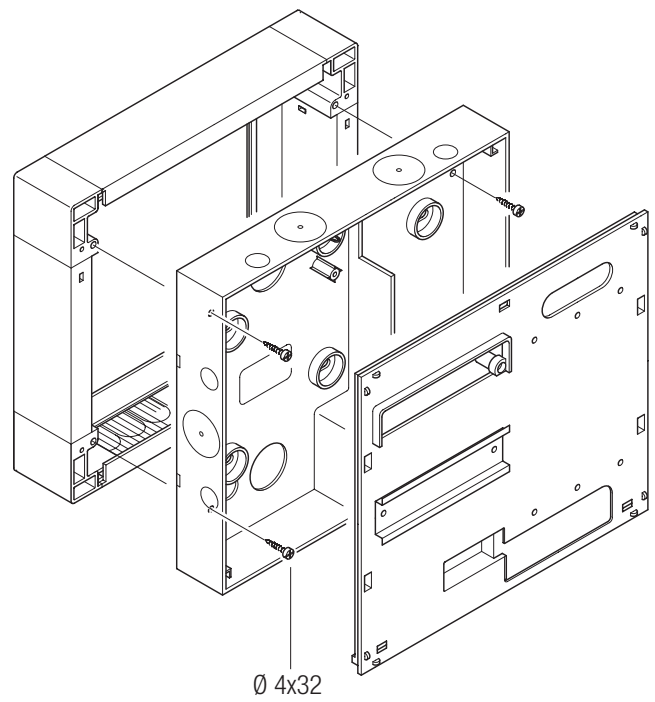
5

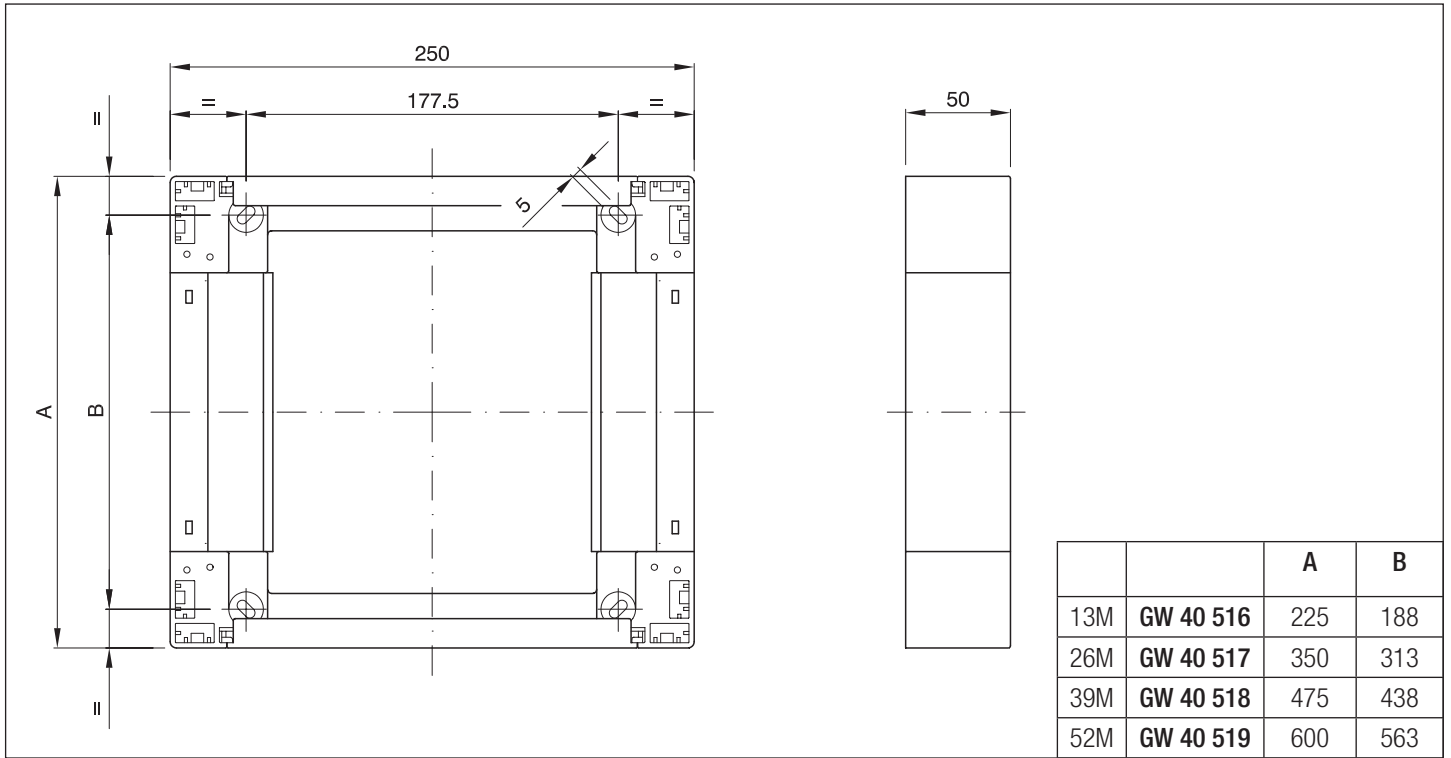


6



7





cod. 7.50.2.984.3

Ai sensi delle Decisioni e delle Direttive Europee applicabili, si informa che il responsabile dell'immissione del prodotto sul mercato Comunitario è:  
According to the applicable Decisions and European Directives, the responsible for placing the apparatus on the Community market is:  
**GEWISS S.p.A. Via A.Volta, 1 IT-24069 Cenate Sotto (BG) Italy Tel: +39 035 946 111 Fax: +39 035 946 270 E-mail: qualitymarks@gewiss.com**



**+39 035 946 111**  
8.30 - 12.30 / 14.00 - 18.00  
lunedì - venerdì - monday - friday



**+39 035 946 260**



**sat@gewiss.com**  
**www.gewiss.com**

ULTIMA REVISIONE 09/2015