

# Product Data Sheet

## GW14750

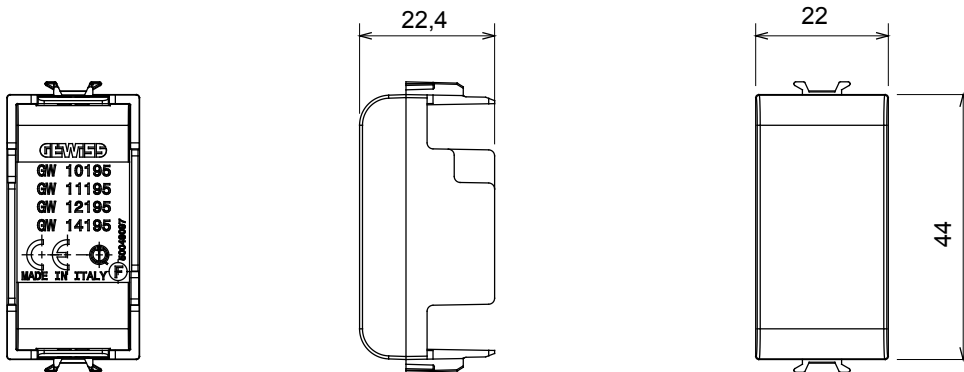
CHORUSMART - Domestic range



Accessory for ChoruSmart connected devices: allows you to install the retractable devices in the supports.

Description	1 module	Category	Blanking module
Colour	Glossy Titanium	Material	Technopolymer
Symbol	Radio frequency	Suitable for	Contacts interfaces, Zigbee actuators
Thermo-pressure with ball	125 °C	Glow Wire Test	850 °C
Standard	EN 60669-1	No. modules	1
Electrocod	0100		

### DIMENSIONAL



### TECHNICAL SYMBOLOGY



### STANDARDS/APPROVALS

