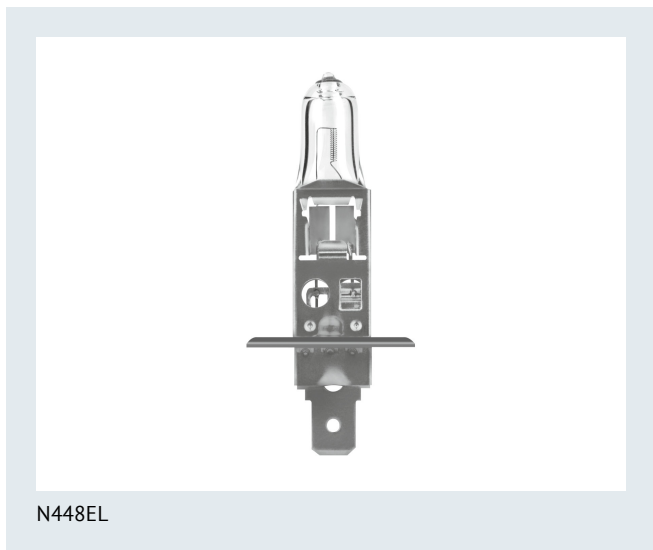




NEOLUX[®]
GERMAN TECHNOLOGY

Extra Light 55 W 12 V P14.5s

Car lamps from NEOLUX ensure the roads ahead are well-lit and visible to others.



N448EL

Product family benefits

- Better visibility
- Remarkable illumination
- Extra light enables drivers to see farther and thereby allows greater reaction time
- Earlier recognition of risks, barriers, and signs
- Affordable

Product family features

- Up to 50 % extra light
- High performance
- More brightness
- ECE certified lamps
- Good and reliable quality thanks to German technology

Areas of application

- Headlight
- Ideal for use in clear-glass headlights



N448EL



N448EL-2SCB

Product information

Application (Category and Product specific)	Halogen headlight lamp
---	------------------------

Electrical data

Power input	68 W
Test voltage	13.2 V
Nominal wattage	55.00 W
Nominal voltage	12.0 V

Photometrical data

Color temperature	3200 K
Luminous flux	1550 lm
Luminous flux tolerance	±15 %

Dimensions & weight

Product weight	6.30 g
Length	67.5 mm
Diameter	9 mm

Lifespan

Lifespan Tc	350 h
Lifespan B3	150 h

Additional product data

Base (standard designation)	P14.5s
-----------------------------	--------

Capabilities

Technology	Halogen lamp
------------	--------------

Certificates & standards

ECE category	H1
British standard	448

Logistical data

Order reference	N448EL
-----------------	--------

Environmental information

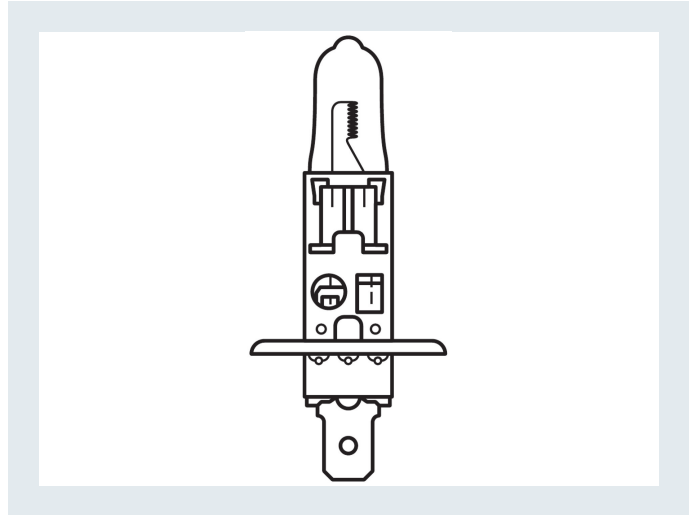
Date of Declaration	19-01-2022
Primary Article Identifier	4008321759665 4052899466418 4052899500952 4052899995734 4052899998681 4055462246202 4058118133734 4008321760371

Candidate List Substance 1	No declarable substances contained
----------------------------	------------------------------------

Declaration No. in SCIP database	In work
----------------------------------	---------

Packaging Information

Packaging description	EAN	Packaging type	Amount of article
NEOLUX N448EL	4052899466418	Folding box	1
NEOLUX N448EL-2SCB	4052899500952	Soft cover box	2



Legal advice

Compared to minimum ECE R112/R37 requirements

NEOLUX[®]
GERMAN TECHNOLOGY

NEOLUX Automotive Lighting
OSRAM GmbH

Marcel-Breuer-Str 6
80807 Munich, Germany

Phone +49 89 6213-0
Fax +49 89 6213-2020

www.neolux-lighting.com