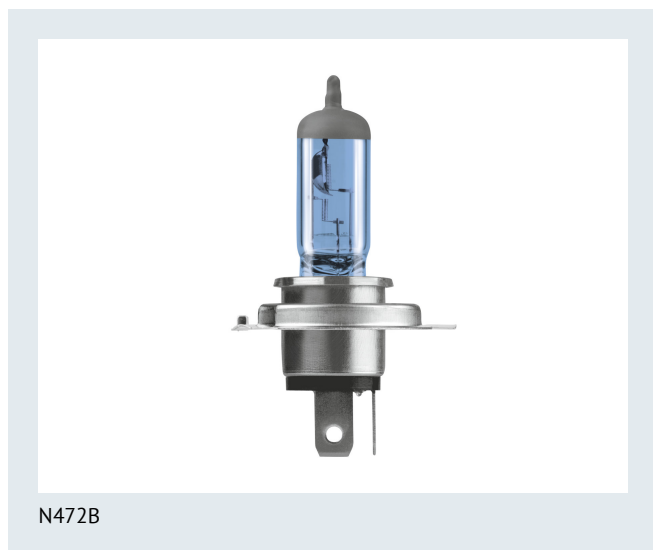




**NEOLUX**<sup>®</sup>  
GERMAN TECHNOLOGY

## Blue Light 60/55 W 12 V P43t

Car lamps from NEOLUX ensure the roads ahead are well-lit and visible to others.



N472B

### Product family benefits

- Stylish appearance
- High contrast
- Better visibility
- Remarkable illumination
- Affordable

### Product family features

- Bluish white light
- Xenon look
- Blue coating
- ECE certified lamps
- Good and reliable quality thanks to German technology

### Areas of application

- Headlight



N472B



N472B-2SCB

**Product information**

Application (Category and Product specific)	Halogen headlight lamp
---	------------------------

**Electrical data**

Power input	75 W
Test voltage	13.2 V
Nominal wattage	60/55 W
Nominal voltage	12.0 V

**Photometrical data**

Color temperature	4000 K
Luminous flux	1650/1000 lm
Luminous flux tolerance	±12 %

**Dimensions & weight**

Product weight	23.70 g
Length	87.0 mm
Diameter	17.0 mm

**Lifespan**

Lifespan Tc	150 h
Lifespan B3	50 h

**Additional product data**

Base (standard designation)	P43t
-----------------------------	------

**Capabilities**

Technology	Halogen lamp
------------	--------------

**Certificates & standards**

ECE category	H4
British standard	472

**Logistical data**

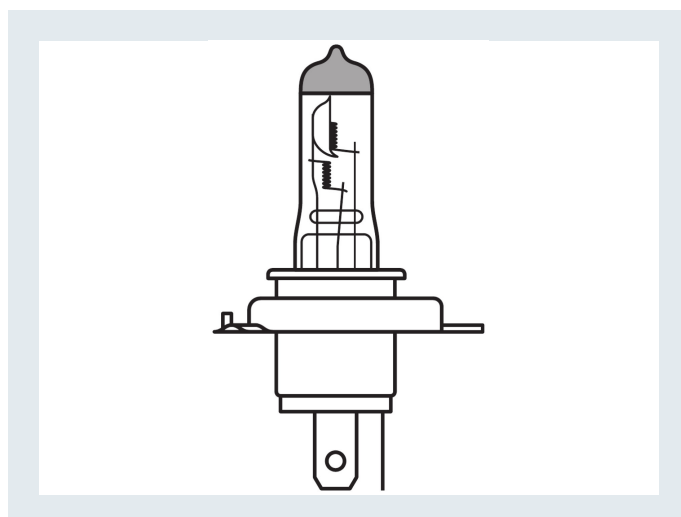
Order reference	N472B
-----------------	-------

**Environmental information**

Date of Declaration	10-06-2022
Primary Article Identifier	4008321756824   4052899466265   4052899500976   4052899995499   4052899995819   8585011218863
Candidate List Substance 1	No declarable substances contained
Declaration No. in SCIP database	In work

**Packaging Information**

Packaging description NEOLUX	EAN	Packaging type	Amount of article
N472B	4052899466265	Folding box	1
N472B-2SCB	4052899500976	Soft cover box	2



**NEOLUX**<sup>®</sup>  
GERMAN TECHNOLOGY

NEOLUX Automotive Lighting  
OSRAM GmbH

Marcel-Breuer-Str 6  
80807 Munich, Germany

Phone +49 89 6213-0  
Fax +49 89 6213-2020

[www.neolux-lighting.com](http://www.neolux-lighting.com)