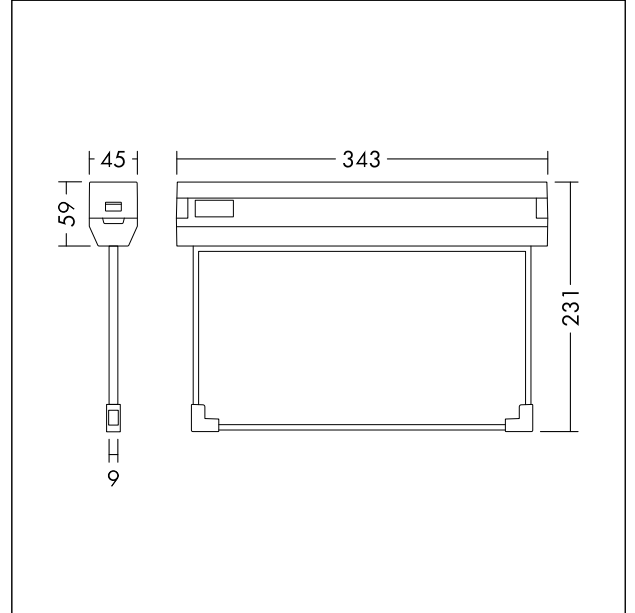


Exit Sign, Visibility 30M

LED Escape sign luminaire with local battery supply for 3 hour emergency lighting with Manual- and SelfTest(Autotest) function, Viewing range up to 30m, Compliant with DIN EN 1838 and DIN4844-1, easy to install with all in one mounting bracket for ceiling, wall, 90° mounting, including 4 pictograms (up, down, left, right), display of luminaire status via status LED, Lifetime: 50.000hrs @L80, protection class: IP40, Impact strength: IK03, Maintained and non-maintained mode, battery: LiFePO4 3,2V 1,5Ah, initial charging period: 24 hours. Dimensions: 343 x 45 x 231 mm, weight: 0.98 kg.



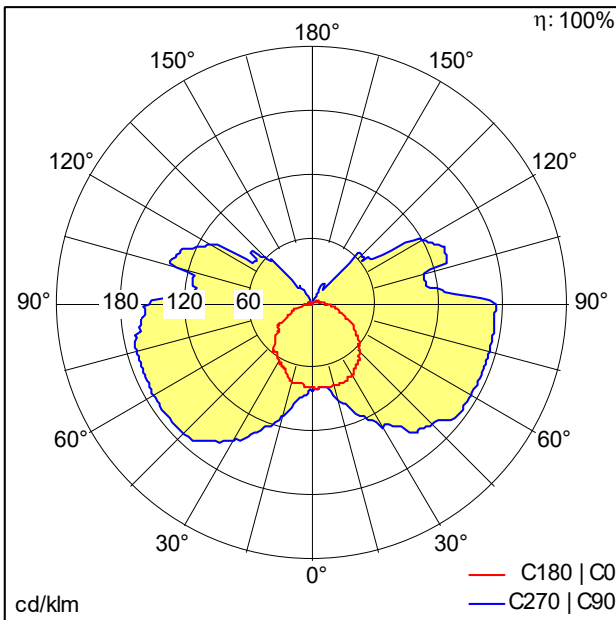
TE_NINA_F_PERSP.jpg



TE_NINA_M_30M.wmf

Light Distribution

STD - standard



TE_NINA_30M_SELFTEST_E3_LIFEPO4.ltd

- Light Source: LED
- Luminaire luminous flux*: 70 lm
- Total emergency luminous flux: 16 lm
- Luminaire efficacy*: 14 lm/W
- Colour Rendering Index min.: 80
- Correlated colour temperature*: 5700 Kelvin
- Chromaticity tolerance (initial MacAdam): 5
- Rated median useful life*: L80 50000 h at 25 °C
- Luminaire input power*: 5.1 W Power factor = 0.5
- Standby Power*: 0.25 W
- Charging power: 1.1 W
- Dimming: Fixed output
- Service life rating: 3 h
- Maintenance category CIE 97: D - Enclosed IP2X

All values marked with an * are rated values. Connected electrical load and luminous flux are subject to an initial tolerance of +/- 10%, the most similar colour temperature is subject to an initial tolerance of +/- 150K. Unless stated otherwise, the values apply to an ambient temperature of 25°C.