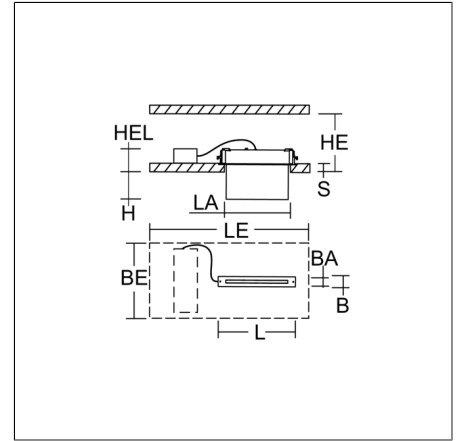




Recessed ceiling luminaires
4051859688235
L 424, B 55, H 190

Recessed ceiling mounting
black



Luminaire for escape route identification. Installation housing sheet steel. Ceiling plate stainless steel high polish or powder-coated. Display panel: highly transparent panel, plastic, with legend on one side/both sides. Electronic ballast included. Self-contained system with automatic self-test and feedback via DALI bus, only to RZB DALI monitoring system. Please indicate legend number when placing your order!

Product specifications

Typ of emergency lighting	Self-contained system
Monitoring	DALI-Sibe
Battery	NiMh
Duration	3 h
Operating mode	maintained power mode
Viewing Distance	30 m
Length L	424 mm
Width B	55 mm
Height H	190 mm
Cut-out length LA	410 mm
Cut-out width BA	42 mm
Installation space height HE	90 mm
Ceiling thickness S	1-30 mm
Weight	2.41 kg
Light source	LED
Colour temperature	4000 K
System power, mains operation	5,8 W
Colour rendering index (CRI)	80
Photobiological safety according to EN 62471	Risk group 1
Driver	Transformer
Control	on/off
Voltage	220 - 240 V / 50 - 60 Hz
Type of protection	IP 40
Protection class	I
Filament test	650°C - 30 seconds
Impact resistance	IK03
Ambient temperature for maintained power	0 °C ... + 25 °C
Ambient temperature for non-maintained power mode	5 °C ... + 40 °C
Conformity mark	CE

Accessories



981687.000
Concrete box