

Esmi Impresia 0 Inputs/4 Outputs Module

Instruction Sheet
R10222GB



Schneider Electric Fire & Security Oy

Sokerilinnantie 11 C
FI-02600 Espoo, Finland
Tel: +358 10 446 511
Website: www.se.com
Document number: R10222GB0
Published: 18.12.2020

© 2020 – Schneider Electric. All Rights Reserved. This information is only to be used as guidance. Subject to changes and errors.

1 Esmi Impresia 0 Inputs/4 Outputs Module

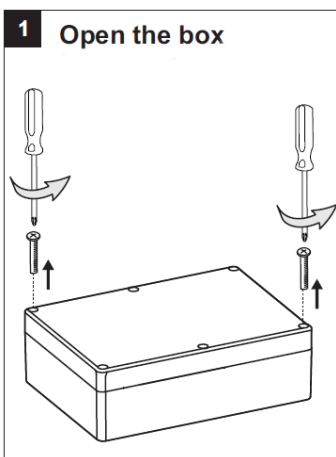
Esmi Impresia 0 Inputs/4 Outputs (FFS06741009) is an addressable module with four relay outputs, designed for installing in addressable fire alarm systems with Esmi ELC loop controller supporting Schneider Electric communication protocol. The module has a built-in isolator module which when used allows continuous operation of the loop in case of module's failure and without need of using additional isolator modules. The module is mounted in a separate plastic box suitable for wall mounting and with IP55 protection. For indoor and outdoor use with EN 54-18/17 approvals.

The address setting is done by the panel or handheld addressing device. The address range is 1-250.

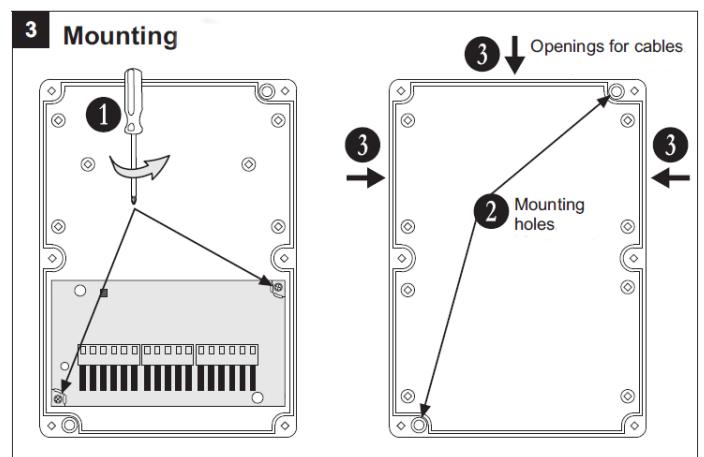
1.1 Installation

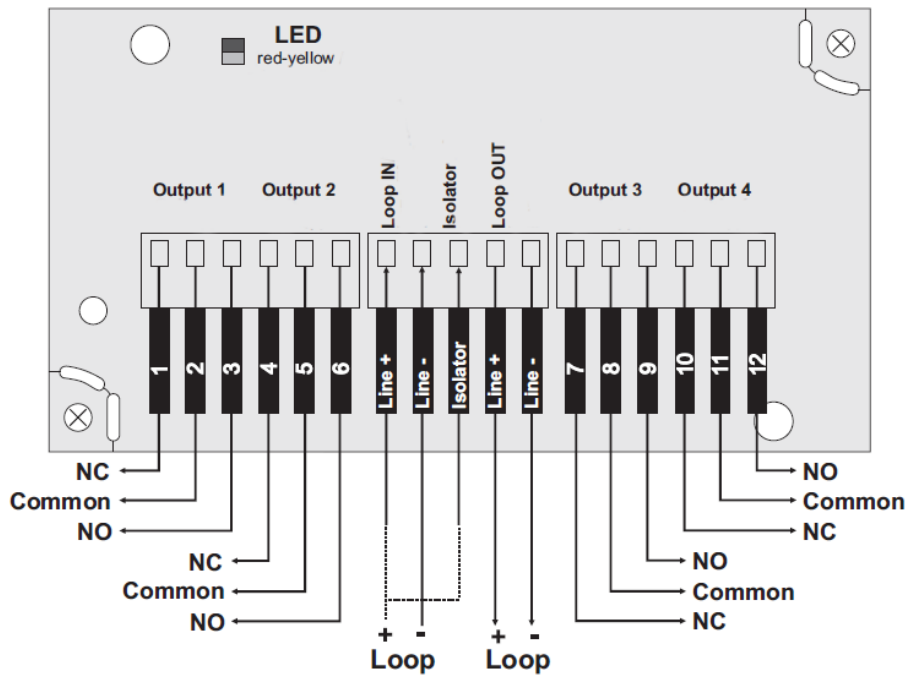
Attention: Power off the loop circuit before installing the addressable module!

1. Choose the proper place for installation of the module.
2. Device will be software addressed from Fire panel. The address must be in the range from 1 to 250.
3. Run the cables to the module loop and output terminals.
4. Connect the cables to the loop and output terminals of the module according to the shown Connection diagrams.
5. Test the module for proper operation and LED indication.
6. Close the cover of the plastic box.




2. Set the module address directly from addressable fire panel. The address must be in the range from 1 to 250.





! LED Indication

OUTPUTS

- The RED LED Lights on, when at least one of the outputs is turned on (state ON)
- The RED LED Lights off, when all of the outputs are turned off (state OFF)
-  The RED LED is blinking when communication between the module and fire panel is running on

ATTENTION: When you use the integrated short circuit isolation module connect one of the “+Loop” loop lead to the “Isolator” terminal of the module.