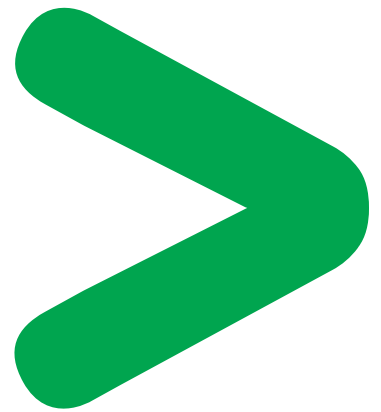


# Product End-of-Life Instructions

Modicon M340



**Schneider**  
Electric

## Product Range

M340 Power Supply

## Marketing Model

BMXCPS3020, BMXCPS2000, BMXCPS2010, BMXCPS3020H, BMXCPS3500, BMXCPS3500H, BMXCPS3540T



### Size in mm:

H x L x D : 68 x 101 x 99

### Weight (excluding packaging) in g:

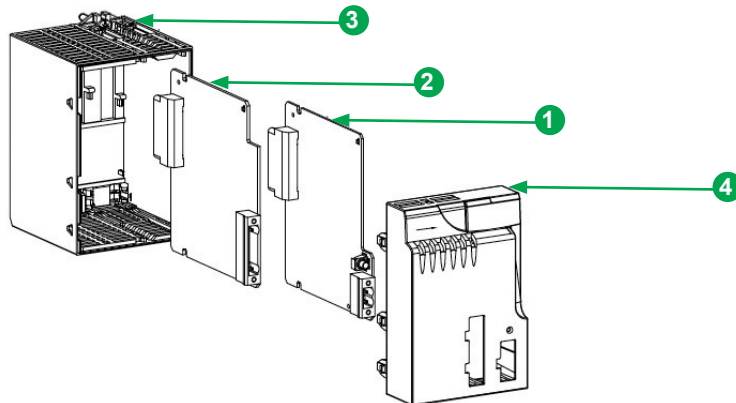
Between 250 and 450

## Operations recommended for the end of life treatment

There are several steps to process the products at the end of life so as to recover components, materials or energy :

Reuse  $\Rightarrow$  Separation for special treatment  $\Rightarrow$  Other Dismantling  $\Rightarrow$  Shredding

The components of the products that optimize the recycling performances are listed, identified and located hereunder.



Recommendation	Number on drawing	Components	Weight (g)	Comment
Special treatment	1 and 2	Printed Circuit Board Assembly (PCBA)	150	-
Other dismantling	3 and 4	Polycarbonate Plastic (PC)	90	(Valorisation)

## Product Range

Modicon M340 Modular unit / Single slot unit

## Marketing Model

BMXNOM0200, BMXAMI0410, BMXAMI0800, BMXAMI0810, BMXAMM0600, BMXAMO0210, BMXAMO0410, BMXAMO0802, BMXART0414, BMXART0814, BMXCRA31200, BMXCRA31210, BMXDAI0805, BMXDAI1602, BMXDAI1603, BMXDAI1604, BMXDAO1605, BMXDDI1602, BMXDDI1603, BMXDDI1604T, BMXDDI3202K, BMXDDI6402K, BMXDDM16022, BMXDDM16025, BMXDDM3202K, BMXDDO1602, BMXDDO1612, BMXDDO3202K, BMXDDO6402K, BMXDRA0804T, BMXDRA0805, BMXDRA1605, BMXEHC0200, BMXEHC0800, BMXEIA0100, BMXERT1604T, BMXMSP0200, BMXNOC0401, BMXNOE0100, BMXNOE0110, BMXNRP0200, BMXNRP0201, BMXP341000, BMXP342000, BMXP342010, BMXP3420102, BMXP3420102CL, BMXP342020, BMXP342030, BMXP3420302, BMXP3420302CL, BMXPRA0100, BMXXBE1000, BMXXBE2005, BMXXEM010, BMEAH0812, BMEAH00412, BMECRA31210, BMXDAI0814, BMXNOC0402



### Size in mm:

H x L x D : 100 x 32 x 100

### Weight (excluding packaging) in g:

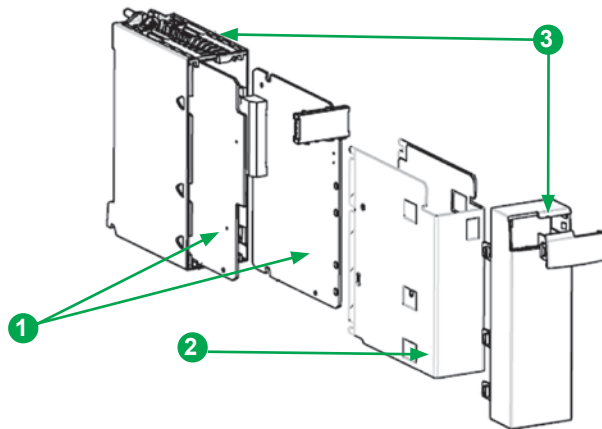
Between 150 and 230 (no battery)

## Operations recommended for the end of life treatment

There are several steps to process the products at the end of life so as to recover components, materials or energy :

Reuse  $\Rightarrow$  Separation for special treatment  $\Rightarrow$  Other Dismantling  $\Rightarrow$  Shredding

The components of the products that optimize the recvclina performances are listed, identified and located hereunder.



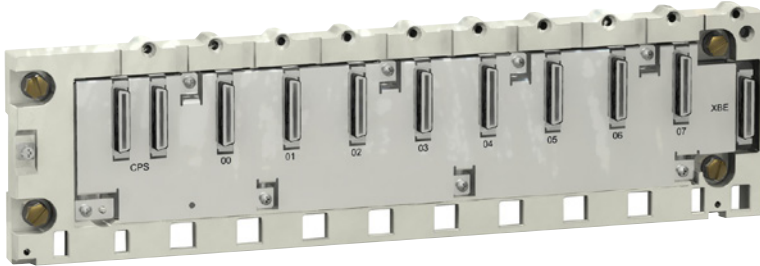
Recommendation	Number on drawing	Components	Weight (g)	Comment
Special treatment	1	Printed Circuit Board Assembly (PCBA)	85	-
Other dismantling	2	Stainless Steel	40	(Valorisation)
	3	Polycarbonate Plastic (PC)	65	(Valorisation)

## Product Range

M340 Back plane

## Marketing Model

BMXXBP0800, BMXXBP0400, BMXXBP0600, BMXXBP1200, BMXXBP0400H, BMXXBP0600H, BMXXBP0800H, BMXXBP1200H, BMEXBP0400, BMEXBP0800, BMEXBP1200, BMEXBP0400H, BMEXBP0800H, BMEXBP1200H



### Size in mm:

H x L x D : 19 x 103 x 372

### Weight (excluding packaging) in g:

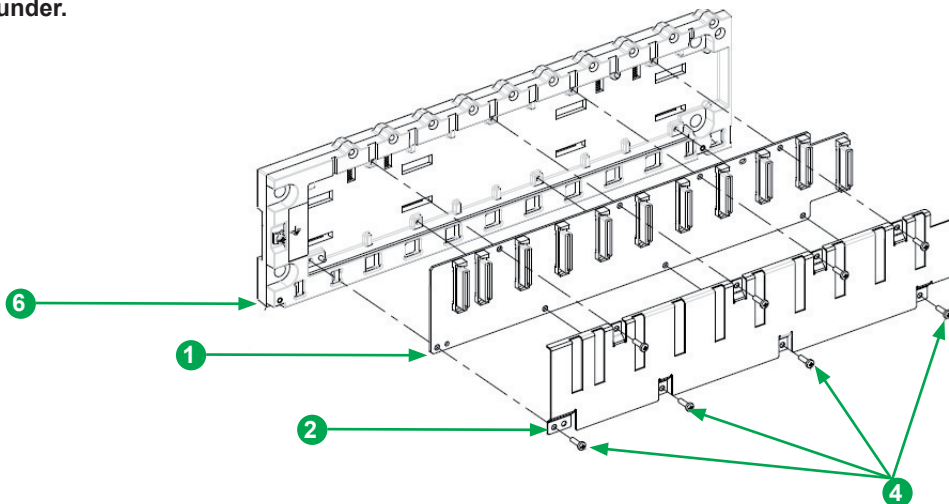
Between 500 and 1600

## Operations recommended for the end of life treatment

There are several steps to process the products at the end of life so as to recover components, materials or energy :

Reuse ⇒ Separation for special treatment ⇒ Other Dismantling ⇒ Shredding

The components of the products that optimize the recycling performances are listed, identified and located hereunder.



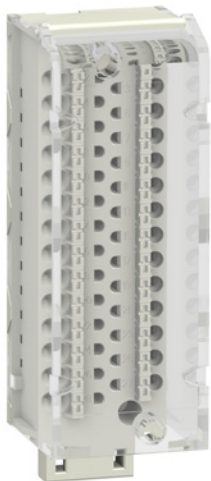
Recommendation	Number on drawing	Components	Weight (g)	Comment
Special treatment	1	Printed Circuit Board Assembly (PCBA)	100	-
Other dismantling	6	Aluminium	705	(Valorisation)
	2	Stainless Steel	120	(Valorisation)

## Product Range

Terminal blocks

## Marketing Model

BMXFTB2000, 140CFA04000, 140CFB03200, 140CFC03200, 140CFD03200, 140CFE03200, 140CFG01600, 140CFX00110, 140XTS00100, 140XTS00200, 140XTS00500, 140XTS33200, 170XTS00100, 170XTS00200, 690MCB10100, BMXFTB2010, BMXFTB2020, BMXFTB2820, BMXXTSCPS10, BMXXTSCPS20, BMXXTSHSC20, TBXBAS10, TSXBLY01, TSXBLZH01, TSXBLZL01, TSXEFCF03, TSXEFCM03, TSXEFACT03, TSXETGACC01, 170XTS00100, 170XTS00200



### Size in mm:

H x L x D : 32 x 42 x 95

### Weight (excluding packaging) in g:

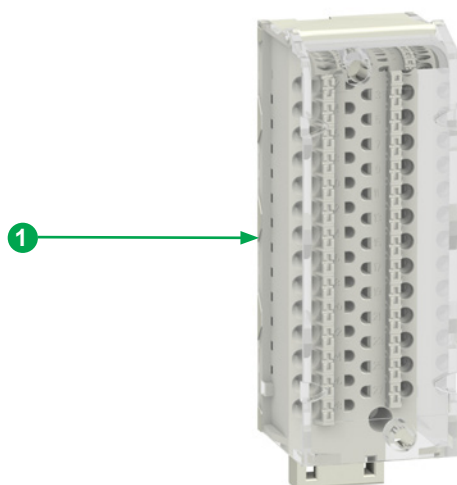
Between 50 and 200

## Operations recommended for the end of life treatment

There are several steps to process the products at the end of life so as to recover components, materials or energy :

Reuse  $\Rightarrow$  Separation for special treatment  $\Rightarrow$  Other Dismantling  $\Rightarrow$  Shredding

The components of the products that optimize the recycling performances are listed, identified and located hereunder.



Recommendation	Number on drawing	Components	Weight (g)	Comment
Special treatment	1	Terminal block (PBT)	50	Contains Brominated FR

## Product Range

Memory stick

## Marketing Model

BMXRMS128MPF, BMXRMS008MP, BMXRMS008MPF, BMXRMS8MITRB, BMXRWSB000M, BMXRWSC016M, BMXRWSFC032M



### Size in mm:

H x L x D : 2 x 16 x 22

### Weight (excluding packaging) in g:

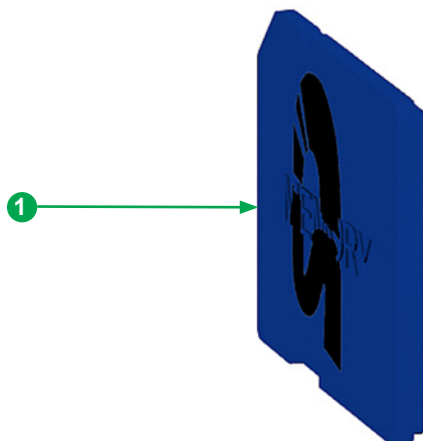
Between 2 and 5

## Operations recommended for the end of life treatment

There are several steps to process the products at the end of life so as to recover components, materials or energy :

Reuse  $\Rightarrow$  Separation for special treatment  $\Rightarrow$  Other Dismantling  $\Rightarrow$  Shredding

The components of the products that optimize the recycling performances are listed, identified and located hereunder.



Recommendation	Number on drawing	Components	Weight (g)	Comment
Special treatment	1	Printed Circuit Board Assembly (PCBA)	2	-

**Schneider Electric Industries SAS**

35, rue Joseph Monier  
CS30323  
F - 92506 Rueil Malmaison Cedex

RCS Nanterre 954 503 439  
Capital social 896 313 776 €  
[www.schneider-electric.com](http://www.schneider-electric.com)

The version of the Guide used to create the document: End of Life Instruction Drafting Guide of Schneider Electric version V2.

Publication : Schneider Electric