

LH DG 8 H32 IGM6 V2A (207 039)

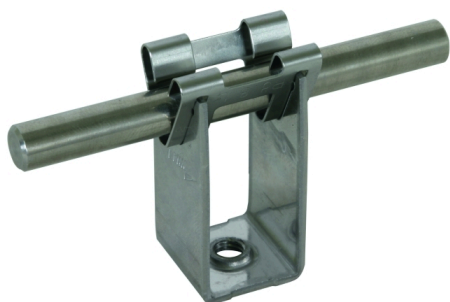
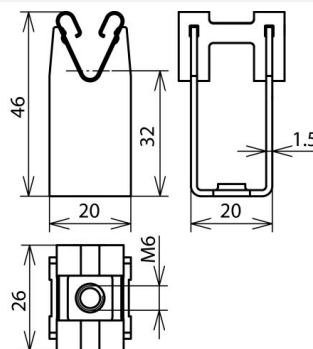


Figure without obligation



Type	LH DG 8 H32 IGM6 V2A
Part No.	207 039
Height of conductor holder	32 mm
Thread of conductor holder	M6
Material of conductor holder	StSt
Conductor support Rd	8 mm
Conductor routing	loose
Standard	EN 62561-4
Weight	24 g
Customs tariff number	85389099
GTIN	4013364042735
PU	50 Stk

We reserve the right to introduce changes in performance, configuration and technology, dimensions, weights and materials in the course of technical progress. The figures are shown without obligation.