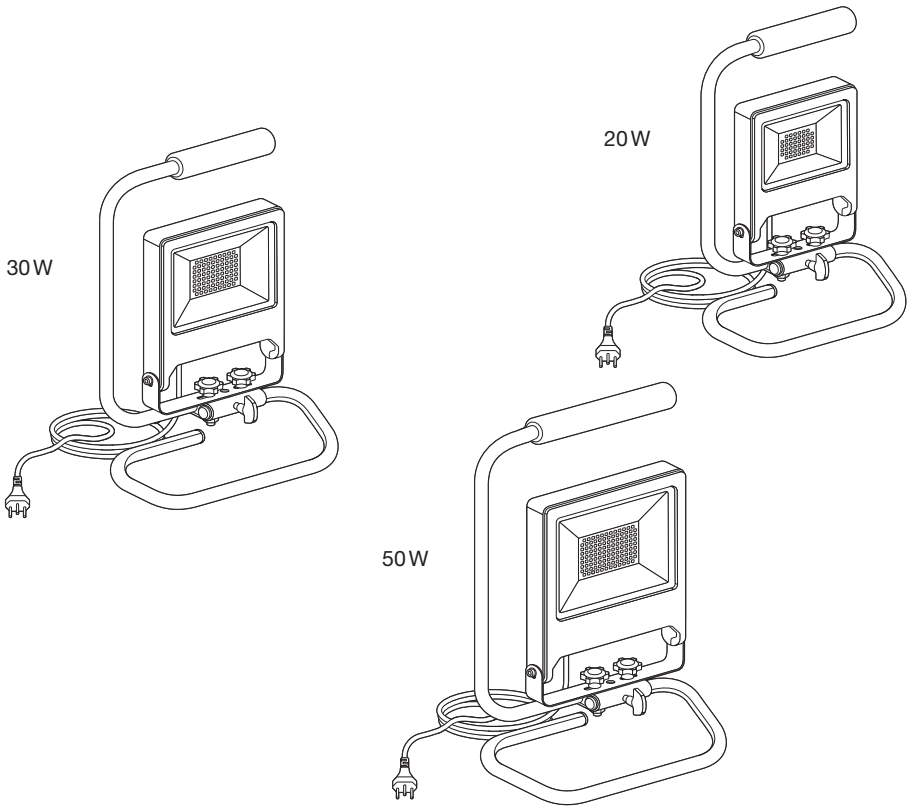


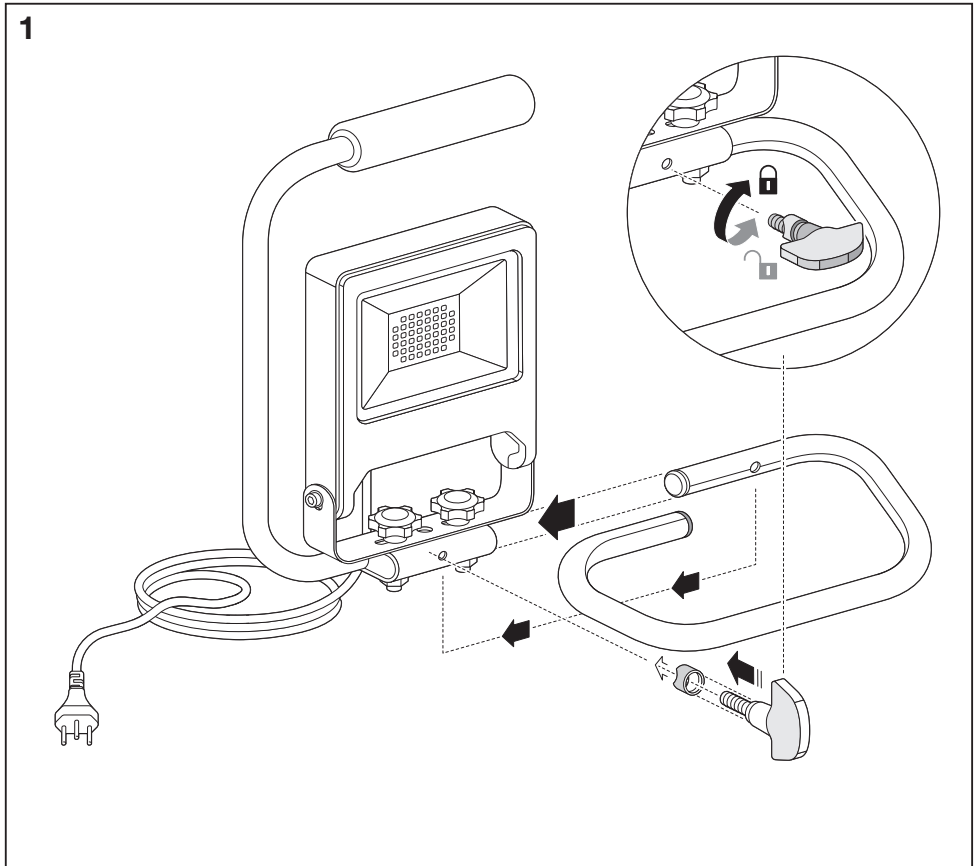
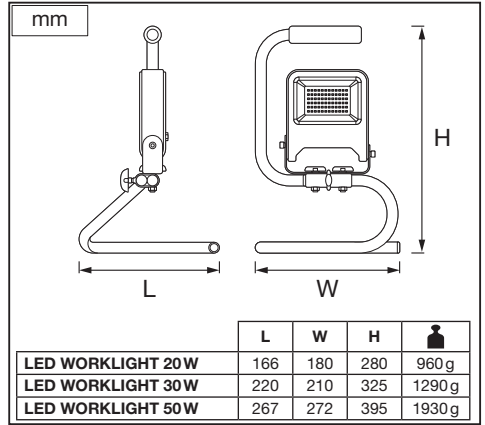
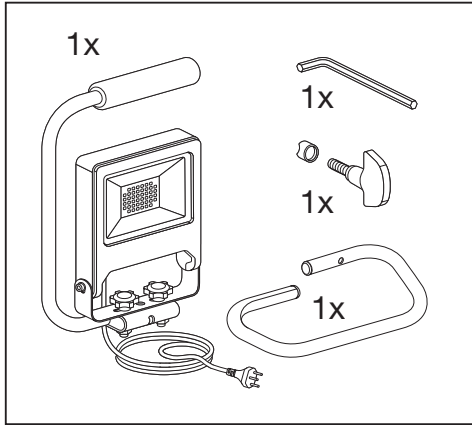
---

# LED WORKLIGHT S-STAND

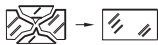
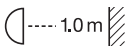
---



	EAN	W	lm	K	°C	V~	mA	Hz	PF
<b>LED WORKLIGHT 20W 840 S-STAND CH</b>	4058075403277	20	1700	4000	-20...+45	220-240	92	50/60	>0.9
<b>LED WORKLIGHT 30W 840 S-STAND CH</b>	4058075403291	30	2700	4000	-20...+45	220-240	145	50/60	>0.9
<b>LED WORKLIGHT 50W 840 S-STAND CH</b>	4058075403314	50	4500	4000	-20...+45	220-240	220	50/60	>0.9







IP65

IP20



RoHS



C10449057  
G11089038  
17.12.2019



LEDVANCE GmbH  
Steinerne Furt 62  
86167 Augsburg, Germany  
[www.ledvance.com](http://www.ledvance.com)