



HF-Performer III for PL-T/C lamps

HF-P 1/218 PL-T/C III 220-240V

HF-Performer III PL-T/C is a sustainable, slim and high-frequency electronic ballast for PL-T and PL-C fluorescent lamps. It is ideal for applications where high energy efficiency is required. The HF-Performer III range has a robust design, meets all relevant international safety and performance standards and is energy efficient (CELMA EEI A2). The ballast is primarily designed for Indoor application. For outdoor application, the luminaire should be minimum Class II need to be sufficiently protected against water & dust. The installation should also be guard against any lightning surge or any other necessary electrical protection as deemed in such typical installation & application.

Product data

General Information		Cable Length From Device to Lamp	
Number of Lamps	2 piece/unit	Cable Length From Device to Lamp	1 m
Operating and Electrical		Temperature	
Input Voltage	220 to 240 V	Ambient temperature range	-25 °C to 50 °C
Line Frequency	50 to 60 Hz	T-Case Lifetime (Nom)	75 °C
Input Frequency	50 to 60 Hz	T-Case Maximum (Max)	75 °C
Inrush Current Width	0.250 ms	Mechanical and Housing	
Inrush Current Peak (Max)	18 A	Housing	S 103x67x30
Number of Products on MCB (16A Type B) (Nom)	28	Approval and Application	
Wiring		Ingress protection code	IP20 [Finger-protected]
Connector Type Input Terminals	Insert	Energy Efficiency Index	A2 BAT
Connector Type Output Terminals	Insert	Safety Standard	IEC 61347-2-3
		Environmental Standard	ISO 14001

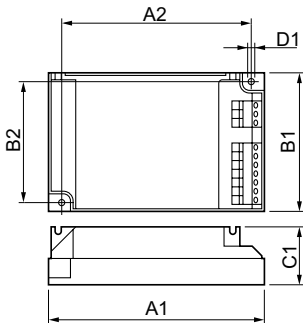
HF-Performer III for PL-T/C lamps

Approval Marks	CE marking ENEC certificate VDE-EMV certificate
Product Data	
Full product code	872790083417800
Order product name	HF-P 1/218 PL-T/C III 220-240V
Order code	913700648666
Numerator - Quantity Per Pack	1

Numerator - Packs per outer box	12
Material number (12NC)	913700648666
Full product name	HF-P 1/218 PL-T/C III 220-240V
EAN/UPC - Case	8727900834178



Dimensional drawing



Product	D1	C1	A1	A2	B1	B2
HF-P 1/218 PL-T/C III 220-240V	4.2 mm	30.0 mm	103.8 mm	93.5 mm	67.8 mm	57.5 mm

