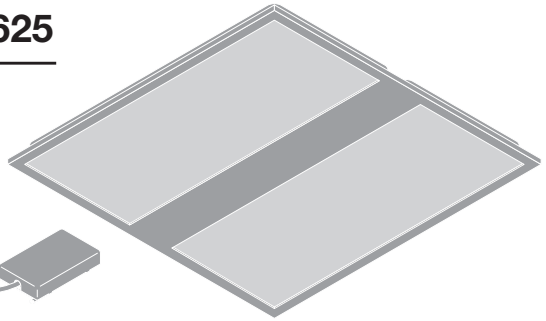
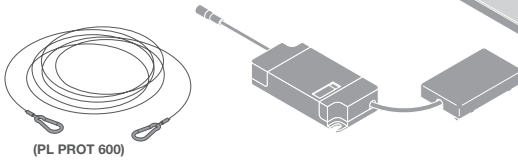


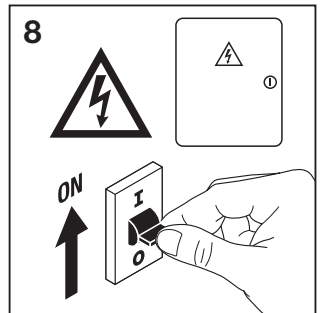
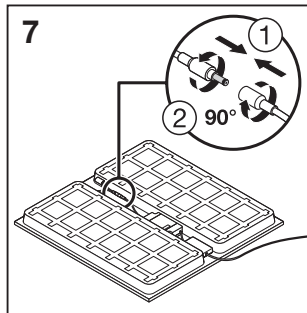
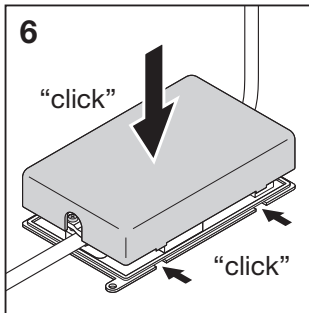
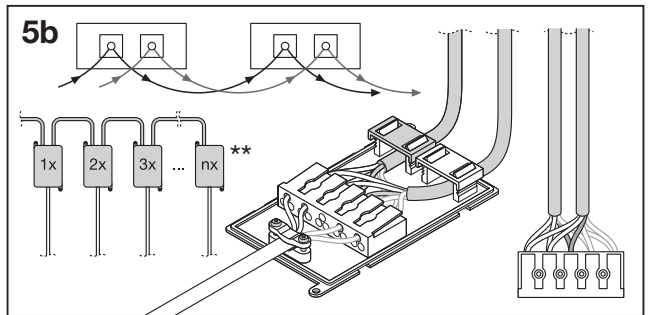
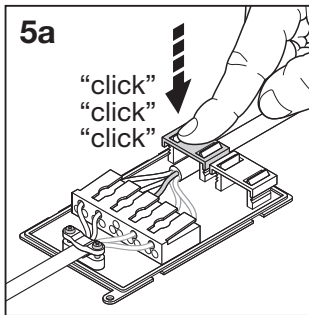
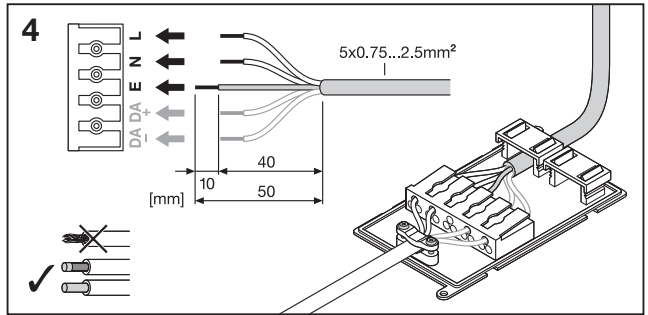
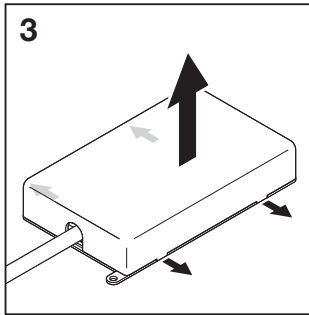
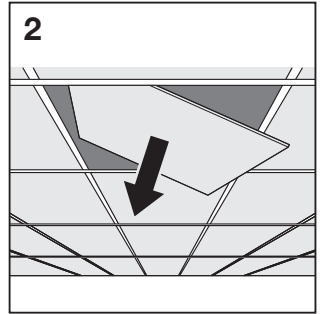
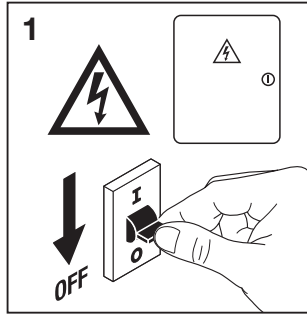
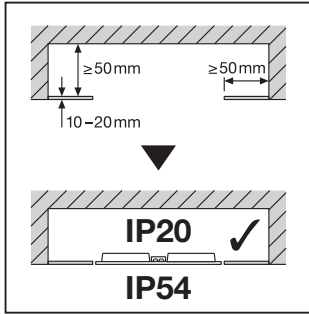
PANEL PROTECT 600/625



	EAN	l x w x h [mm]	W	EM W *** (230V DC)	V _{AC}	Hz	lm	lm/W	EM Im *** (230V DC)
PL PROT 600 P 36W 830 PS	4099854082863	595 x 595 x 34	36	*	220-240V	50/60	*	140	*
PL PROT 600 P 36W 840 PS	4099854082887	595 x 595 x 34	36	*	220-240V	50/60	*	140	*
PL PROT 600 P 36W 830 DALIVR	4099854082900	595 x 595 x 34	36	6.5	220-240V	50/60	5040	140	720
PL PROT 600 P 36W 840 DALIVR	4099854083105	595 x 595 x 34	36	6.5	220-240V	50/60	5040	140	720
PL PROT 600 P 36W 840 U19 PS	4099854083303	595 x 595 x 34	36	*	220-240V	50/60	*	140	*
PL PROT 600 P 36W 840 U19 DALIVR	4099854083327	595 x 595 x 34	36	6.5	220-240V	50/60	5040	140	720
PL PROT 625 P 36W 830 PS	4099854083365	620 x 620 x 34	36	*	220-240V	50/60	*	140	*
PL PROT 625 P 36W 840 PS	4099854083389	620 x 620 x 34	36	*	220-240V	50/60	*	140	*
PL PROT 625 P 36W 830 DALI VR	4099854083402	620 x 620 x 34	36	6.5	220-240V	50/60	5040	140	720
PL PROT 625 P 36W 840 DALIVR	4099854083440	620 x 620 x 34	36	6.5	220-240V	50/60	5040	140	720
PL PROT 625 P 36W 840 U19 PS	4099854083488	620 x 620 x 34	36	*	220-240V	50/60	*	140	*
PL PROT 625 P 36W 840 U19 DALIVR	4099854083501	620 x 620 x 34	36	6.5	220-240V	50/60	5040	140	720

	EAN	K	IP	IK	∠	R _a	° (°C)	PF	👤
PL PROT 600 P 36W 830 PS	4099854082863	3000	54/20	02	120°	> 80	-10...+50	> 0.9	2.0 kg
PL PROT 600 P 36W 840 PS	4099854082887	4000	54/20	02	120°	> 80	-10...+50	> 0.9	2.0 kg
PL PROT 600 P 36W 830 DALIVR	4099854082900	3000	54/20	02	120°	> 80	-10...+50	> 0.9	2.1 kg
PL PROT 600 P 36W 840 DALIVR	4099854083105	4000	54/20	02	120°	> 80	-10...+50	> 0.9	2.1 kg
PL PROT 600 P 36W 840 U19 PS	4099854083303	4000	54/20	06	90°	> 80	-10...+50	> 0.9	2.3 kg
PL PROT 600 P 36W 840 U19 DALIVR	4099854083327	4000	54/20	06	90°	> 80	-10...+50	> 0.9	2.3 kg
PL PROT 625 P 36W 830 PS	4099854083365	3000	54/20	02	120°	> 80	-10...+50	> 0.9	2.2 kg
PL PROT 625 P 36W 840 PS	4099854083389	4000	54/20	02	120°	> 80	-10...+50	> 0.9	2.2 kg
PL PROT 625 P 36W 830 DALI VR	4099854083402	3000	54/20	02	120°	> 80	-10...+50	> 0.9	2.2 kg
PL PROT 625 P 36W 840 DALIVR	4099854083440	4000	54/20	02	120°	> 80	-10...+50	> 0.9	2.2 kg
PL PROT 625 P 36W 840 U19 PS	4099854083488	4000	54/20	06	90°	> 80	-10...+50	> 0.9	2.5 kg
PL PROT 625 P 36W 840 U19 DALIVR	4099854083501	4000	54/20	06	90°	> 80	-10...+50	> 0.9	2.5 kg

*	W _{AC}	36W	31W	26W	22W
	lm	5040lm	4340lm	3640lm	3080lm



9

36W → 31W → 26W → 22W

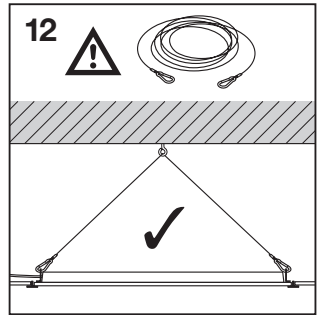
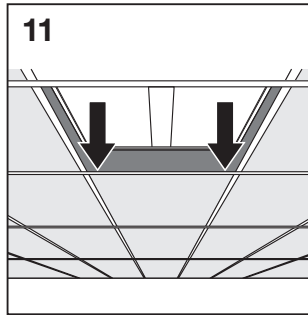
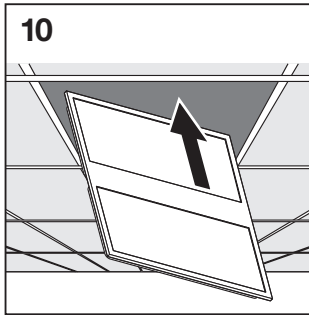
lm

h₁

h₂

*

W AC	36W	31W	26W	22W
lm	5040	4340	3640	3080



SUSPENSION KIT
EAN 4058075402928

90°

RECESSED MOUNT CLIPS VALUE
EAN 4058075409859

4x

8x

8x

Panel 600: 575mm
 Panel 625: 600mm

Panel 600: 575mm
 Panel 625: 600mm

~3.5mm

~4.2mm

~8.8mm

~10.3mm

①

②

③

④

