

Dome camera module for modular external unit

10-361

4 year warranty

The dome camera module ensures excellent colour image quality. The image sensor has a high resolution and high light sensitivity, both at day/night as well as with strong contrast or backlight. The camera has a 90° picture angle and can be adjusted both horizontally and vertically. The module is made of black anodised aluminium with an acrylic glass dome.

The dome camera module includes an integrated two-wire video transmitter (10-498).



Technical data

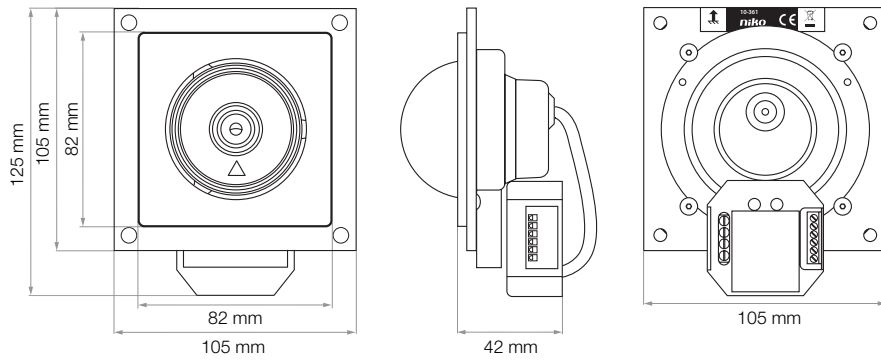
Dome camera module for modular external unit

- dimensions: 125 x 105 x 42 mm (HxWxD)
- finishing colour: black anodised aluminium and acrylic glass
- ambient temperature: -10°C to +50°C
- protection degree: IP44
- vandal proof: yes
- input current in standby: I(a) = 0 mA, I(P) = 60 mA
- max input current: I(Pmax) = 60 mA
- wire technique: 6-wired
- marking: CE

- camera with BLC, AGC and AWB
- image sensor: 0.8 cm (1/3") DPS
- resolution: 700 horizontal TV lines
- aperture: F1.2
- focal length: 3.6 mm
- light sensitivity: 0.002 lux
- picture angle: 90° diagonally (adjustable 60° horizontally/vertically)
- configurable with Niko Configuration SW for access control
- Marking: CE



Dimensions



Wiring diagram

