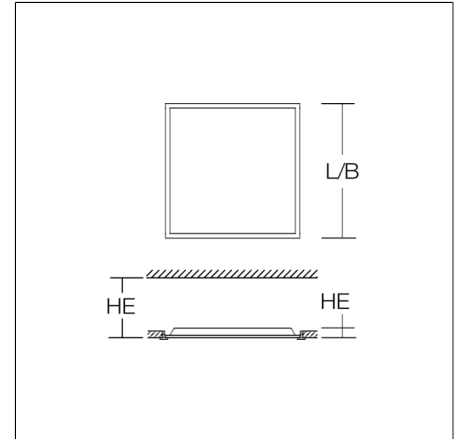




Lay-in luminaires  
4068754004350  
L 595, B 595

Lay-in luminaires  
white



Lay-in luminaire for ceiling systems with visible mounting rails. Housing: sheet steel, powder-coated. Luminaire frame: aluminium, powder-coated. Diffuser plastic (PS) microprismatic. LED backlight technology for homogeneous illumination of the entire light-emitting surface. Suitable for Lay-in luminaires. Perfect for office areas ( $UGR \leq 19$ ) and environments with computer screens in accordance with EN 12464-1.

## Product specifications

Length L	595 mm
Width B	595 mm
Cut-out length LA	575 mm
Cut-out width BA	575 mm
Luminaire: recess height HEL	30 mm
Installation space length LE	600 mm
Installation space width BE	600 mm
Installation space height HE	160 mm
Weight	1.84 kg
Light source	LED
Colour temperature	4000 K
Rated luminous flux	3800 lm
System power	28 W
System efficiency	136 lm/W
Glare evaluation UGR (4H 8H)	18,5
Beam angle	89°/82°
Rated life	50000 h (L80/B10)
Colour rendering index (CRI)	80
Colour tolerance	3
Photobiological safety according to EN 62471	Risk group 0
Driver	Converter
Control	on/off
Voltage	220 - 240 V / 50 Hz, 60 Hz
Luminaires on B10A fuse	14
Luminaires on B16A fuse	23
Luminaires on C10A fuse	24
Luminaires on C16A fuse	39
Inrush current / Inrush current duration	38.8 A / 100 $\mu$ s
CIE Flux Code / CEN Flux Code	63 87 97 100 100
Type of protection	IP 40 on room side IP 20
Protection class	II
Filament test	650 °C
Impact resistance	IK03
Ambient temperature	-10 °C ... + 35 °C
Safety marks	Do not cover the recessed luminaire!
Conformity mark	CE

# KALEEA BASIC

312782.002.1 |

## Accessories



982727.002  
Surface mounting frame



982957.002  
Mounting frame for installation in suspended ceilings.



982811.010  
Safety cable set



982703.012  
Through-wiring box