


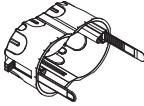

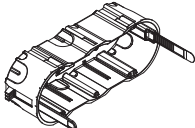
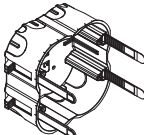
Boxes for plasterboard

TECHNICAL SHEET

Items PB502, PB503, PB504, PB506, PB526

Description

Boxes for plasterboard and movable walls, with fastening straps for fast installation and secure locking in position. The straps have graduated hooking steps, for walls made of up to 3 x 12.5 mm sheets. Thanks to the ease of installation, a simple slotted screwdriver will be enough to remove the box. The new BTicino plasterboard boxes are the first ones on the market with conduit cut-outs with the break profile fully closed. This prevents any dusts from entering the box, which may be dangerous for the circuit, such as dust from glass fibre or similar wall insulation material. On the back of the boxes are the centring templates, for fast and precise installation. The housing of the support screws consists of a metal insert: this prevents any damage to the housing, ensuring safe and strong coupling.

Item	Description
 PB502	2-module box for plasterboard cavity walls
 PB503	3-module box for plasterboard cavity walls
 PB504	4-module box - for plasterboard cavity walls (installation in plasterboard walls of the Axolute series in the 4 module layout, is only possible using the PB504 box).
 PB506	6/7-module box for plasterboard cavity walls
 PB526	6-module (3+3) box for plasterboard cavity walls

Technical data





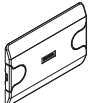
Material: polypropylene, without halogens
 Operating temperature: (-25) - (+60) °C
 Resistance: 850 °C, IEC 60695-2-11 glow wire

Standards, Certifications, Marks

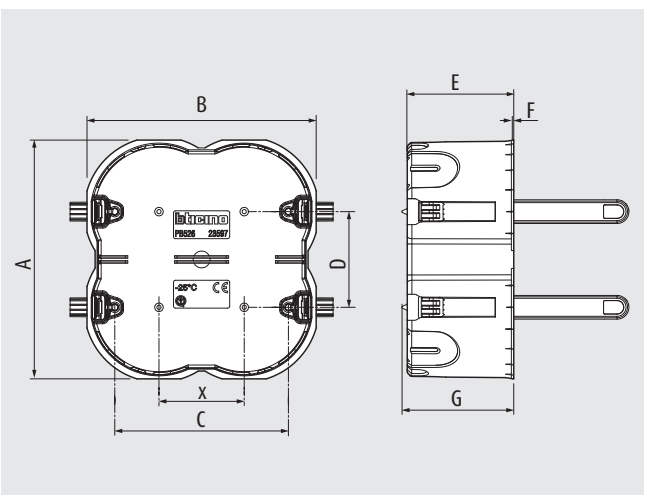
Reference standard: EN60670-1

Marks: 

Accessories

Item	Description
 PB502A	Side installation device: for side by side installation of the boxes (for PB502 boxes).
 PB503V	Vertical partition: insulating internal resin partition that can be used to separate data circuits from power circuits (for PB503, PB504 and PB506 boxes).
 PB526V	Horizontal partition: insulating internal resin partition (for PB526 boxes). It can be used to separate data circuits from power circuits.
 PBD68	Accessory to be fitted to a 68 mm cutting drill bit. This disc creates a recess, so that the box may be installed flush with the wall.
 503EC 504EC 506EC	Front cover plate: to close the box, if used as a junction box, or to ensure the possibility of future installation of devices inside the box (for PB503, PB504, PB506 boxes).

Dimensional data

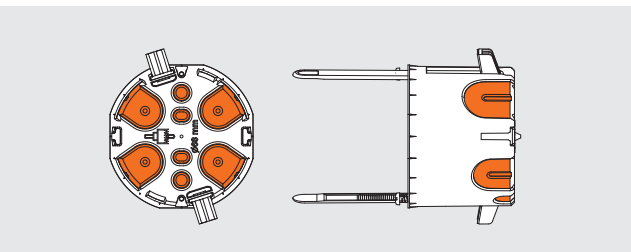
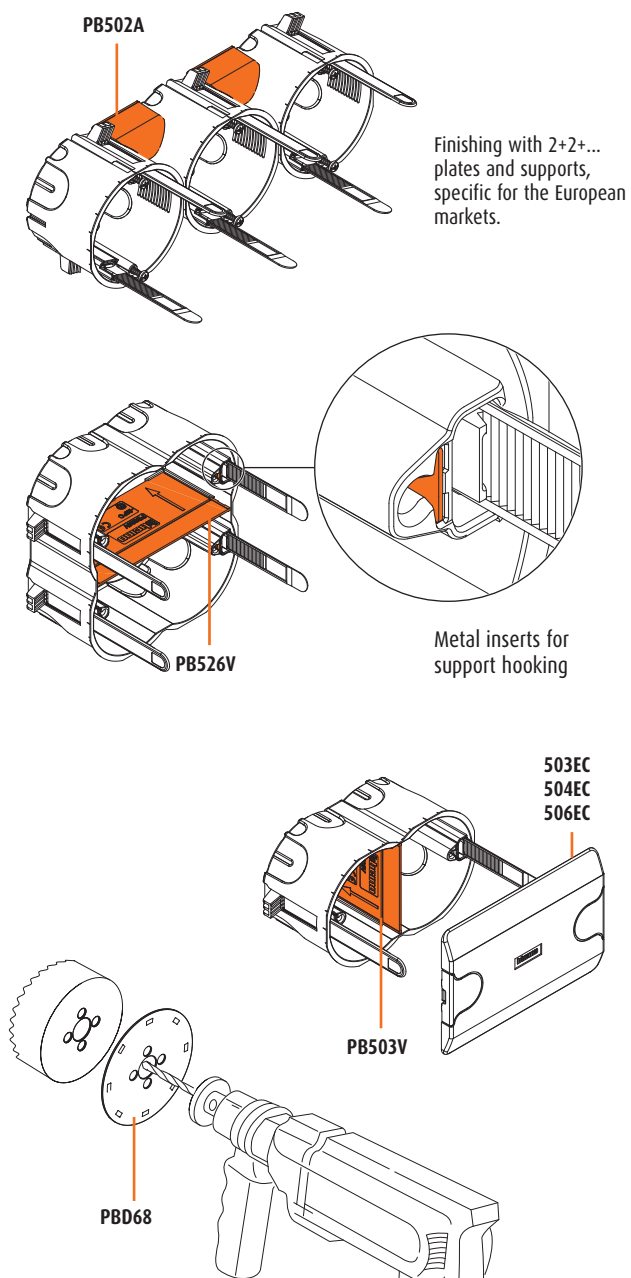


Item	A	B	C	D	E	F	G	X	Internal depth	Cutter
PB502	68.8	68.8	-	60	51.2	0.7	54.2	-	50	68
PB503	68.8	110.2	83.5	-	51.2	0.7	53.7	41	50	68
PB504	68.8	132.6	108.5	-	51.2	0.7	53.7	63.5	50	68
PB506	68.8	183.2	100	60	51.2	0.7	53.7	57	50	68
PB526	114.8	110.2	83.5	46	51.2	0.7	53.7	41	50	68

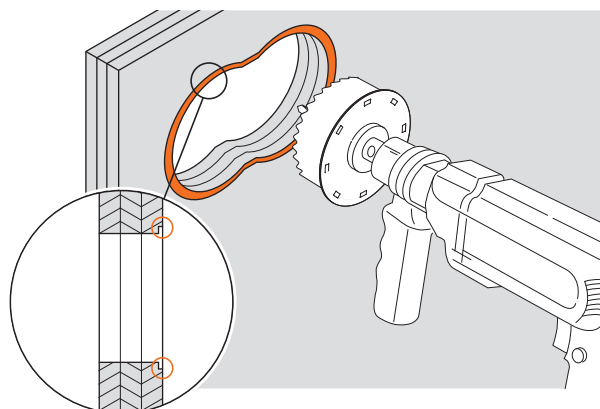
Size and number of cut-out marks

Dimensions	PB502	PB503	PB504	PB506	PB526
8 Ø mm	6	8	8	12	8
20 Ø mm	6	12	12	9	12
25 Ø mm	2	4	4	3	4

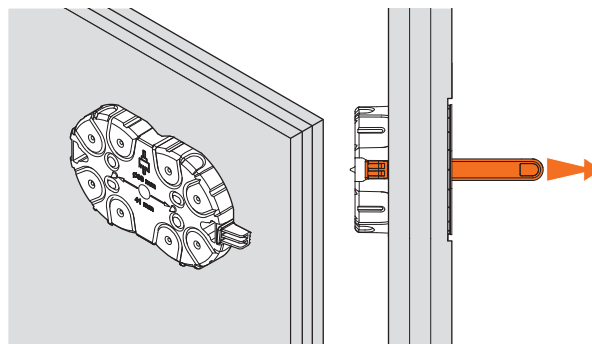
Customisation



Installation



Using the accessory, fitted between the cup and the drill, a recess can be created, so that the box may be installed flush with the wall.



The box is then locked in position using fastening straps. Fold the strap inside the appropriate housing.

