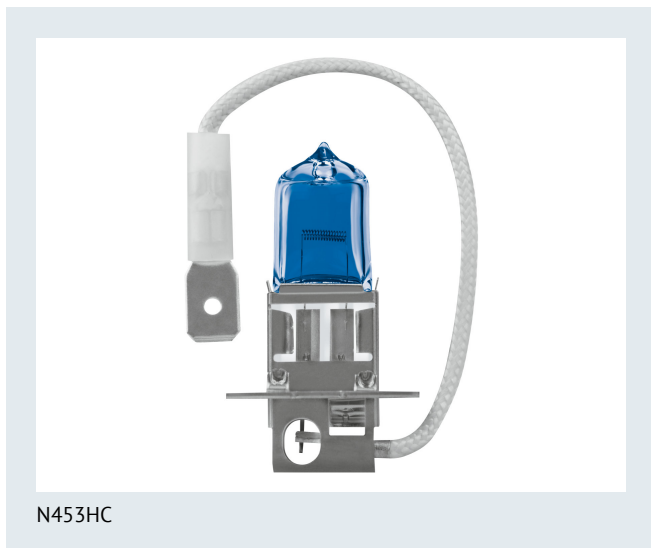




NEOLUX[®]
GERMAN TECHNOLOGY

Blue Power Light 80 W 12 V PK22S

These off-road lighting solutions from NEOLUX turn night into day. Choose from the robust and reliable Power Light, with its powerful light output, the Blue Power Light, with its stylish bluish white light, or the Weather Light, which is optimized for fog, rain or snow. Whether you need the dark spaces ahead to be brightly lit or are facing rough weather conditions, our off-road range has a solution for you.



Product family benefits

- Stylish appearance and high contrast
- On most difficult off-road terrains
- Better visibility
- Remarkable illumination
- Reliable manufacturer

Product family features

- High color temperature with stylish bluish white light
- High performance off-road lamp
- Color temperature: 5,000 K
- More power
- Rugged and versatile



N453HC

Product information

| | |
|---|------------------------|
| Product type (off-road vs. on-road) | Off-road |
| Application (Category and Product specific) | Halogen headlight lamp |

Electrical data

| | |
|-----------------|---------|
| Power input | 68 W |
| Test voltage | 13.2 V |
| Nominal wattage | 80.00 W |
| Nominal voltage | 12.0 V |

Photometrical data

| | |
|-------------------------|---------|
| Color temperature | 5000 K |
| Luminous flux | 1450 lm |
| Luminous flux tolerance | ±15 % |

Dimensions & weight

| | |
|----------------|---------|
| Product weight | 6.90 g |
| Length | 42.0 mm |
| Diameter | 11.0 mm |

Lifespan

| | |
|-------------|-------|
| Lifespan Tc | 650 h |
| Lifespan B3 | 400 h |

Additional product data

| | |
|-----------------------------|-------|
| Base (standard designation) | PK22s |
|-----------------------------|-------|

Capabilities

| | |
|------------|--------------|
| Technology | Halogen lamp |
|------------|--------------|

Certificates & standards

| | |
|--------------|---------|
| ECE category | H3 base |
|--------------|---------|

Logistical data

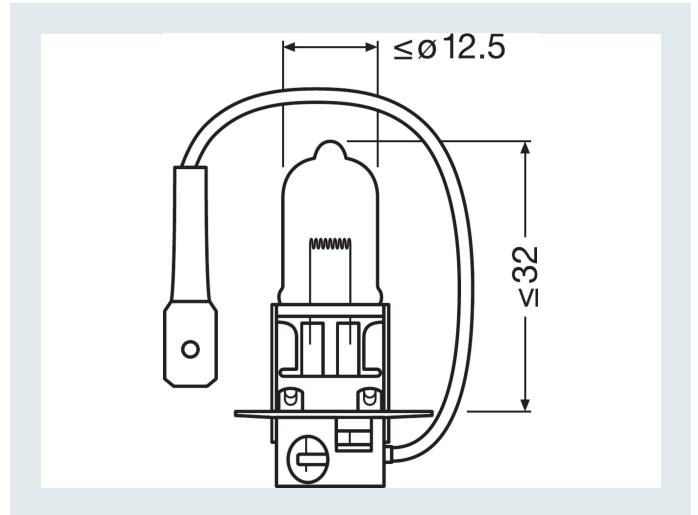
| | |
|-----------------|--------|
| Order reference | N453HC |
|-----------------|--------|

Environmental information

| | |
|----------------------------------|------------------------------------|
| Date of Declaration | 19-01-2022 |
| Primary Article Identifier | 4052899470958 |
| Candidate List Substance 1 | No declarable substances contained |
| Declaration No. in SCIP database | No declarable substances contained |

Packaging Information

| Packaging description | EAN | Packaging type | Amount of article |
|-----------------------|---------------|----------------|-------------------|
| NEOLUX N453HC | 4052899470958 | Folding box | 1 |



Legal advice

These products do not have ECE approval. This means they must not be used on public roads in any exterior application. Use on public roads leads to cancellation of operating license and loss of insurance coverage. Several countries do not allow sale and use of these products. Please contact your local distributor for information on the availability in your country.

NEOLUX[®]
GERMAN TECHNOLOGY

NEOLUX Automotive Lighting
OSRAM GmbH

Marcel-Breuer-Str 6
80807 Munich, Germany

Phone +49 89 6213-0
Fax +49 89 6213-2020

www.neolux-lighting.com