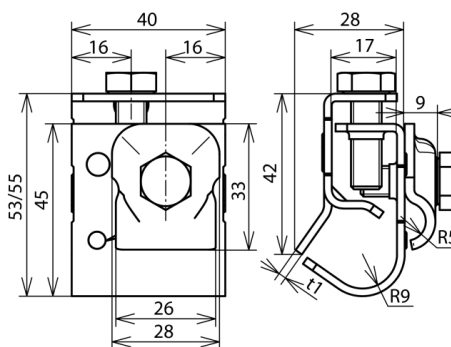


**DRK KB 6.10 W16.22 V2A (339 069)**



Figure without obligation



Type	DRK KB 6.10 W16.22 V2A
Part No.	339 069
Clamping range bead	16-22 mm
Material of gutter clamp	StSt
Clamping range Rd	6-10 mm
Material of conductor clamp	StSt
Width / material thickness	40 / 2 mm
Screw	M8 x 20 / 25 mm
Material of screw	StSt
Lightning current carrying capability (10/350 µs)	<sup>*)</sup>
Standard	EN 62561-1
Weight	122 g
Customs tariff number	85389099
GTIN	4013364079960
PU	25 Stk

<sup>\*)</sup> See test certificate for exact classification.

We reserve the right to introduce changes in performance, configuration and technology, dimensions, weights and materials in the course of technical progress. The figures are shown without obligation.