**Use**

Connected socket which can be controlled by a wireless lighting control and/or remotely via your smartphone, tablet or computer.

Can be used to measure instantaneous and total consumption of the connected device, which can be viewed on the Home + Control app.

Built-in protection against electrical overloads, for increased safety.

Installation in box 40 mm deep (minimum), instead of a standard socket outlet.

Screw fixing.

One-piece mechanism (grid + mechanism).

Range**Designation****Cat. Nos.**

Connected 2P+E socket, with safety shutter.

With activity and identification LED indicator and RESET button (hidden) used to return to factory settings.

Supplied complete with claws and site protection covers.

- N4141AC
 NT4141AC
 L4141AC

Colours code:

- White
 Silver
 Anthracite

Connection

Terminal type: automatic

Terminal capacity: 2 x 2.5 mm²

Stripping length: 11 mm

Technical characteristics**- Mechanical characteristics**

Protection against impacts: IK 04

Protection against solid bodies and/or liquids: IP 41

- Material characteristics

Mechanism casing: PC

Grid: 6.6 PC + Galfan steel

Halogen-free

UV resistant

Self-extinguishing: 850°C/30 s for insulating parts holding live parts in place.

650°C/30 s for the other insulating components.

- Electrical characteristics

Voltage: 110/230 V~

Current: 16 A

Power: 3680 W max.

Frequency: 50/60 Hz

Standby consumption: 0.1 mA

Zigbee technology 2.4 GHz to 2.4835 GHz

Power level: REC 70-03: < 20 dBm

Range: 200 m of unobstructed space

10 m between products indoors

- Climate characteristics

Storage temperature: 0°C to +45°C

Usage temperature: +5°C to +45°C

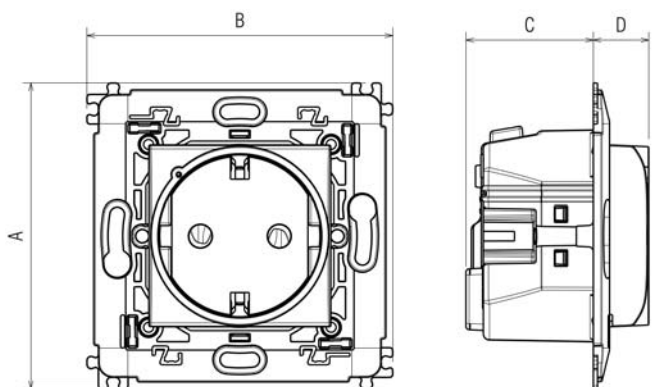
Standards and approvals

Compliant with installation and manufacturing standards.

See e-catalogue.

The undersigned, BTICINO, declares that the radio-electric equipment type (L-N-NT4141AC) complies with directive 2014/53/EU. The full text of the EU declaration of conformity is available on the following website: www.bticino.it/red

Dimensions (mm)



A	B	C	D
74	74	29,5	13,5

Care

Compliant with installation and manufacturing standards.

See e-catalogue.

The undersigned, BTICINO, declares that the radio-electric equipment type (LNNT4141AC) complies with directive 2014/53/EU. The full text of the EU declaration of conformity is available on the following website: www.bticino.it/red

Caution: Always test before using special cleaning products.

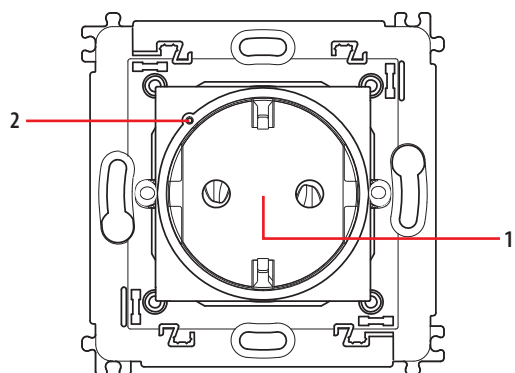


Take care to recycle the battery appropriately.

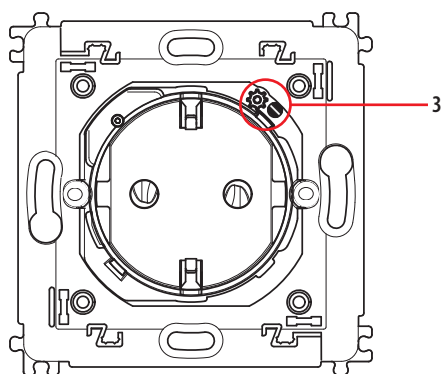
RAEE/WEEE: bticino.com/disposal

Operation

Front view



Front view without coverkey



Legend

1. 16 A connected socket outlet
Extra built-in protection in the event of overloads of more than 16 A
2. LED indicator:
 - useful during installation
 - indicator function can be activated in the Home + Control app
3. RESET button: used to return to factory settings