

**PAS EX FL (472 499)**

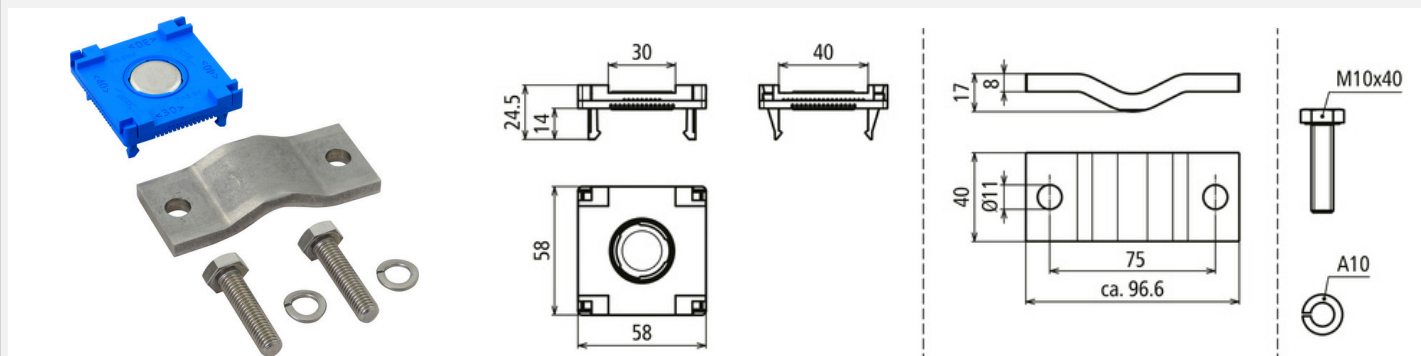


Figure without obligation

Adapter for non-sparking, Ex equipotential bonding bar PAS EX for connecting a flat conductor. For use in potentially explosive areas of Ex zones 1 and 2 (gases, vapours, mists) up to explosion group IIC as well as Ex zones 21 and 22 (dusts). Both indoor and outdoor installation permissible.

Type	PAS EX FL
Part No.	472 499 <span style="font-size: small;">NEW</span>
Screw material	StSt
Spring washer material	StSt
Saddle clamp material	StSt
FI adapter housing material	Polyamide / halogen-free, blue
Screws	●● M10 x 40 mm
Screw type	with spring washer
Lightning impulse current (10/350 µs) StSt (V4A) 30x3.5 mm / 40x5 mm	2HExIIC 75kA (non-sparking) T4
Lightning impulse current (10/350 µs) StSt (V4A) 30x3.5 mm / 40x5 mm	H 100 kA
Lightning impulse current (10/350 µs) St/tZn 30x3.5 mm/40x5 mm	1HExIIC 100 kA (non-sparking) T4
Max. short-circuit current (AC 50 Hz / DC / 5 s) StSt (V4A) 30x3.5 mm / 40x5 mm	750 A / T4
Max. short-circuit current (AC 50 Hz / DC / 5 s) St/tZn 30x3.5 mm / 40x5 mm	1500 A / T4
Max. surface temperature T4	135 °C
Weight	386 g
Customs tariff number	85389099
GTIN	4013364470514
PU	1 Stk

Note: Non-sparking only ensured in connection with PAS EX ...!

We reserve the right to introduce changes in performance, configuration and technology, dimensions, weights and materials in the course of technical progress. The figures are shown without obligation.