

Product Data Sheet

GWJ3003A

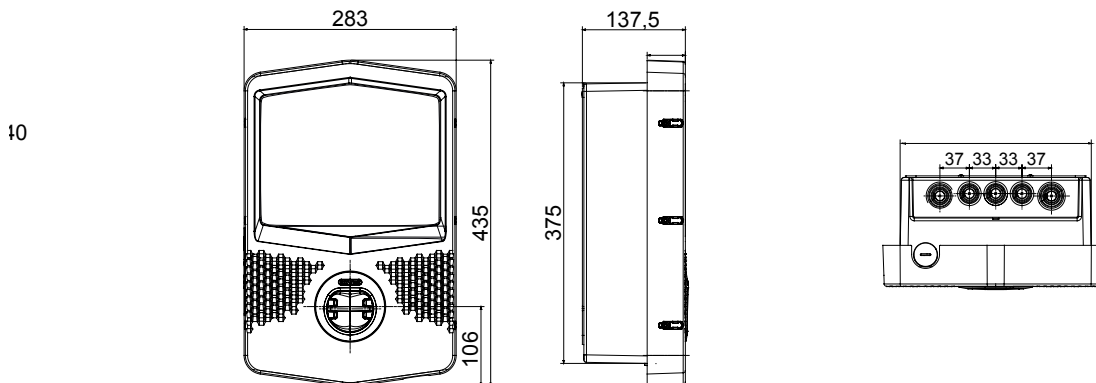
JOINON range



The I-CON wall boxes are the JOINON solution designed and studied for integration into private and semi-public contexts in accordance with the international standard IEC 61851-1 ed. 3. They feature an elegant and compact design, a special "one-hand recharge" function, a vandal-proof socket as an alternative to the cable and holder connector integrated in the station, an IP55 protection rating together with an IK10 impact rating, smart load management, back-lighting and various installation options: wall-mounting, flush-mounting or floor-mounting.

| | | | |
|--------------------------------------|------------------------|-------------------------------|---|
| INPUT | | - Socket/Connector Nr. (Type) | 1 (Type 2 socket, with shutters) |
| Terminal blocks | 5 x 10 mm ² | Charging activation | Free access |
| Rated current | 16 A | Human Interface | RGB Led |
| Total power | 11 Kilowatt | Connectivity | No |
| OUTPUT | | MECHANICAL FACTS | - |
| Rated voltage | 400 V | Mounting and installation | Wall mounting (floor mounting with support) |
| Current supplied (max) | 16 A | Colour | Dark grey |
| Maximum current | 11 Kilowatt | Material | Thermoplastic (Post-industrial origin) |
| Thermal-magnetic protection | Currently not present | External treatments | No |
| Type of residual current protection | Currently not present | IP degree | IP55 |
| Power meter | Currently not present | Mechanical resistance | IK10 |
| DC Leakage check | Yes | Operating temperature | -25 +50 °C |
| (Auto)restart electrical protections | Currently not present | Customizations | Yes (front) |

DIMENSIONAL



TECHNICAL SYMBOLOGY

IP

IP55

IK

IK10

STANDARDS/APPROVALS

