

# Product Data Sheet

## GWJ2121W100

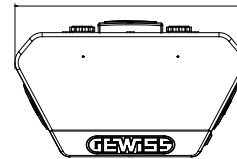
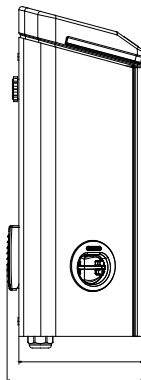
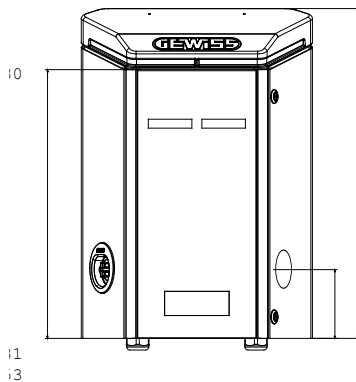
JOINON range



The wall-mounted I-ON charging stations are the JOINON solutions for public and semi-public access, designed for charging electric vehicles and to withstand any wear including impacts, stress, vandalism and atmospheric agents. They are the first and only on the market guaranteed with a IP55 protection rating. The special design allows the units to be adapted into any urban context and parking configuration, with a targeted focus on the user experience of drivers. They are available with standard JoinOn graphics, which may be customised on request.

|                                      |  |                               |   |
|--------------------------------------|--|-------------------------------|---|
| <b>INPUT</b>                         |  | - Socket/Connector Nr. (Type) | 1 (Type 2 antivandalproof, with shutter) + 1 (Type F) |
| Terminal blocks                      | 1 x (3 x 10 mm <sup>2</sup> ) + 1 x (3 x 6 mm <sup>2</sup> ) | Charging activation           | Remotely managed, via OCPP 1.6J                       |
| Rated current                        | 42 A   | Human Interface               | LED RGB and TFT Display                               |
| Total power                          | 10 Kilowatt  | Connectivity                  | LAN,WIFI,4G   |
| <b>OUTPUT</b>                        |  | - <b>MECHANICAL FACTS</b>     | -   |
| Rated voltage                        | 230 V  | Mounting and installation     | Wall mount  |
| Current supplied (max)               | 32 A per socket (10 A for Type F)                            | Colour                        | Grey, Headboard RAL 7011                              |
| Power max.                           | 7,4 kW per socket (2,3 kW for Type F)                        | Material                      | Steel sheet   |
| Thermal-magnetic protection          | Currently not present  | External treatments           | Anti-corrosion and anti-graffiti                      |
| Type of residual current protection  | Currently not present  | IP degree                     | IP54  |
| Power meter                          | YES (MID)  | Mechanical resistance         | IK10  |
| DC Leakage check                     | Currently not present  | Operating temperature         | -25 +50 °C  |
| (Auto)restart electrical protections | Currently not present  | Customizations                | Yes (front)   |

### DIMENSIONAL



### TECHNICAL SYMBOLOGY

**IP**

**IK**

IP54

IK10

### STANDARDS/APPROVALS

