

Presence detector
353-650321



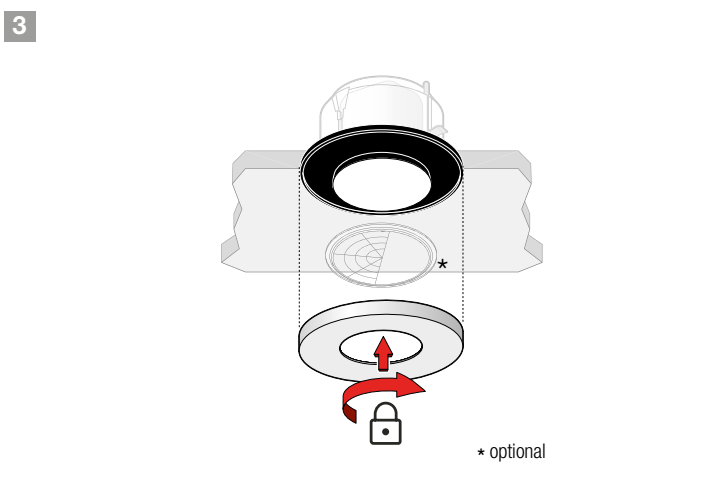
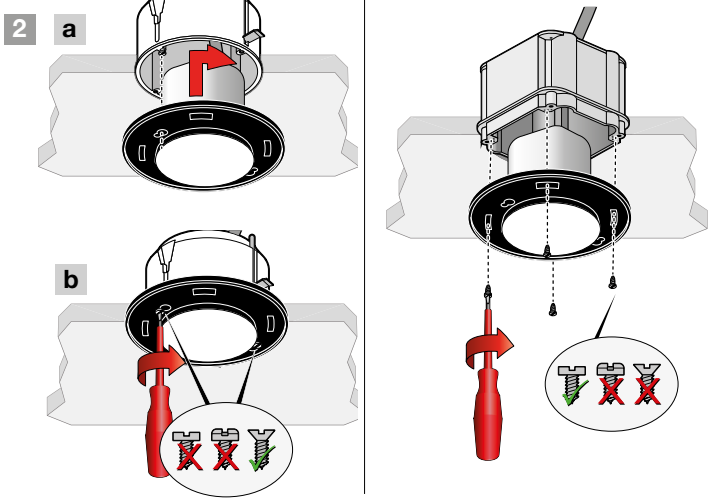
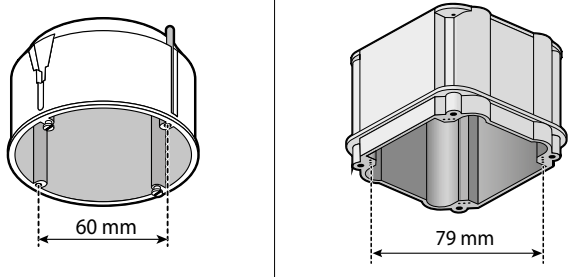
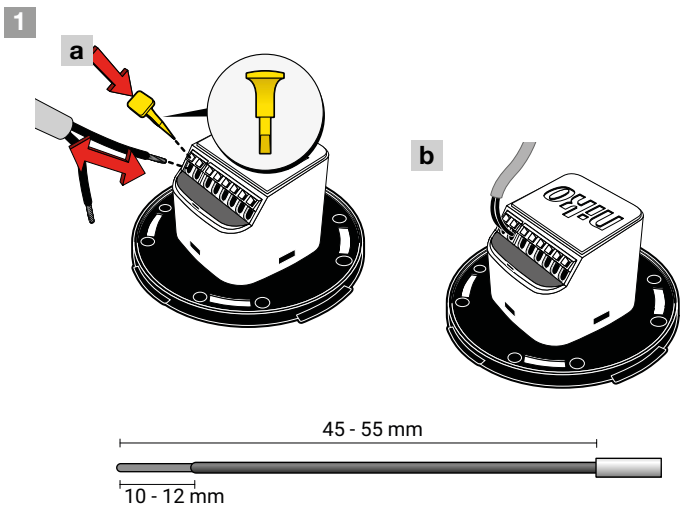
4 year warranty

- EN** Presence detector P47MR, DALI-2, master, 12-13 m, 360°, for flush-mounting box
- NL** Aanwezigheidsmelder P47MR, DALI-2, master, 12-13 m, 360°, voor inbouwdoos
- FR** Détecteur de présence P47MR, DALI-2, maître, 12-13 m, 360°, pour boîte d'encastrement
- DE** Präsenzmelder P47MR, DALI-2, Master, 12-13 m, 360°, für Unterputzdose
- DK** Tilstedeværelsessensor P47MR, DALI-2, master, 12-13 m, 360°, til indbygningsdåse
- SE** Närvarosensor P47MR, DALI-2, master, 12-13 m, 360°, för infälld dosa
- NO** Tilstedeværelsessensor P47MR, DALI-2, master, 12-13 m, 360°, til innfelt monteringsboks
- IT** Rilevatore di presenza P47MR, DALI-2, master, 12-13 m, 360°, per scatola da incasso
- PL** Czujnik obecności P47MR, DALI-2, nadrzędny, 12-13 m, 360°, do montażu w puszcze podtynkowej
- SK** Detektor prítomnosti P47MR, DALI-2, master, 12-13 m, 360°, na montáž do zapustenej montážnej krabice

Installation

⚠ 230 V – OFF

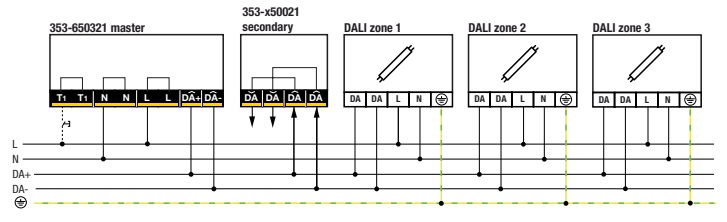
Instalatie / Installation / Installation / Installation / Installation / Installasjon / Installazione / Instalacja / Instalácia



Wiring

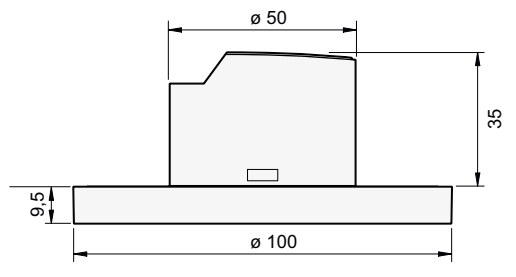
⚠ 230 V – OFF

Aansluitschema / Schéma de raccordement / Verdrahtung / Tíslutningsskema / Kopplingschema / Ledningstilkopling / Cablaggio / Okablowanie / Instalácia



Dimensions

Afmetingen / Dimensions / Abmessungen / Dimensioner / Mått / Dimensioner / Dimensioni / Wymiary / Rozmery



App settings

⚠ 230 V – ON

App-instellingen / Réglages de l'app / App-Einstellungen / App indstillinger / Appställningar / App-innstillinger / Impostazioni dell'app / Ustawienia aplikacji / Nastavenia aplikácie

| | | | |
|-------------------------|---------------|---------|--------|
| Factory settings | Switch ON/OFF | 500 lux | 15 min |
|-------------------------|---------------|---------|--------|



LED behaviour

⚠ 230 V – ON

Ledgedrag / Comportement des LED / LED-Verhalten / LED funktioner / LED-funktioner / LED-funksjon / Comportamento del LED / Zachowanie LED / LED signalizácia

| | | | | |
|-----------|-------------------------|---|----------------------------|--------------------|
| EN | Green LED continuous on | ● | Connection OK | |
| | Green LED breathing | ● | Connection OK, overrule ON | |
| | Green LED flashing | ● | Warming up | Wait |
| | Red LED continuous on | ● | Error | More info --> |
| | Red LED breathing | ● | Warning | niko detector tool |
| | Blue LED flashing | ● | Walk test active | |

| | | | | |
|-----------|-------------------------------------|---|------------------------------|---------------------|
| NL | Groene led brandt | ● | Verbinding OK | |
| | Groene led gaat langzaam aan en uit | ● | Verbinding OK, overrulen AAN | |
| | Groene led knippert | ● | Warmt op | Even geduld |
| | Rode led brandt | ● | Fout | Meer informatie --> |
| | Rode led gaat langzaam aan en uit | ● | Waarschuwing | niko detector tool |
| | Blauwe led knippert | ● | Wandeltest geactiveerd | |

| | | | | |
|-----------|------------------------------|---|---------------------------|--------------------|
| FR | LED verte allumée en continu | ● | Connexion OK | |
| | LED verte respire | ● | Connexion OK, overrule ON | |
| | LED verte clignote | ● | Chauffe | Attendez |
| | LED rouge allumée en continu | ● | Erreur | Plus d'info --> |
| | LED rouge respire | ● | Avertissement | niko detector tool |
| | LED bleue clignote | ● | Test de mouvement actif | |

| | | | | |
|-----------|--------------------|---|-------------------------------|--------------------|
| DE | Grüne LED leuchtet | ● | Verbindung OK | |
| | Grüne LED pulsiert | ● | Verbindung OK, überstimmen AN | |
| | Grüne LED blinkt | ● | Aufwärmen | Warten |
| | Rote LED leuchtet | ● | Fehler | Mehr Info --> |
| | Rote LED pulsiert | ● | Warnung | niko detector tool |
| | Blaue LED blinkt | ● | Bewegungstest aktiv | |

DK

| | | | |
|---------------------------|---|-----------------------------------|--------------------|
| Grøn LED lyser konstant | ● | Forbindelse OK | |
| Grøn LED blinker langsomt | ● | Forbindelse OK, overstyring aktiv | |
| Grøn LED blinker hurtigt | ● | Varmer op | Vent |
| Rød LED lyser konstant | ● | Fejl | Mere info --> |
| Rød LED blinker langsomt | ● | Advarsel | niko detector tool |
| Blå LED blinker hurtigt | ● | Gå-test aktiv | |

SE

| | | | |
|---------------------------|---|---------------------------|---------------------|
| Grøn LED kontinuerligt på | ● | Anslutning OK | |
| Grøn LED-andning | ● | Anslutning OK, upphäva ON | |
| Grøn LED blinkar | ● | Värmer upp | Vänta |
| Röd LED kontinuerligt på | ● | Fel | Mer information --> |
| Röd LED-andning | ● | Varning | niko detector tool |
| Blå LED blinkar | ● | Promenadstest aktivt | |

NO

| | | | |
|--------------------------------|---|-------------------------------|--------------------|
| Grønn lysdiode kontinuerlig på | ● | Tilkopling OK | |
| Grønn lysdiode fungerer | ● | Tilkopling OK, overstyring PÅ | |
| Grønn lysdiode blinker | ● | Varmes opp | Vent |
| Rød lysdiode kontinuerlig på | ● | Feil | Mer info --> |
| Rød lysdiode fungerer | ● | Advarsel | niko detector tool |
| Blå lysdiode blinker | ● | Funksjonstest virksom | |

IT

| | | | |
|------------------------------|---|-------------------------------------|--------------------|
| LED verde sempre acceso | ● | Connessione OK | |
| LED verde della respirazione | ● | Connessione OK, annullamento ACCESO | |
| LED verde lampeggiante | ● | Riscaldamento | Attendere |
| LED rosso sempre acceso | ● | Errore | Maggiori info --> |
| LED rosso della respirazione | ● | Avvertenza | niko detector tool |
| LED blu lampeggiante | ● | Test del cammino attivo | |

PL

| | | | |
|--|---|--------------------------|-----------------------|
| Zielona dioda LED świeci światłem ciągłym | ● | Połączenie OK | |
| Zielone światło LED pulsuje | ● | Połączenie OK, odrzuć ON | |
| Zielona dioda LED miga | ● | Rozgrzewanie | Czekaj |
| Czerwona dioda LED świeci światłem ciągłym | ● | Błąd | Więcej informacji --> |
| Czerwona dioda LED pulsuje | ● | Ostrzeżenie | niko detector tool |
| Niebieska dioda LED miga | ● | Test przejścia aktywny | |

SK

| | | | |
|-----------------------------|---|----------------------------------|---------------------|
| Zelená LED kontrolka svieti | ● | Pripojenie OK | |
| Zelená LED pulzuje | ● | Pripojenie OK, ovládanie zapnuté | |
| Zelená LED kontrolka bliká | ● | Zahrievanie | Počkajte |
| Červená LED svieti | ● | Chyba | Viac informácií --> |
| Červená LED pulzuje | ● | Upozornenie | niko detector tool |
| Modrá LED bliká | ● | Test chodenia je aktívny | |

