

Motion detector, DALI, secondary, 32 m, IP54, for high ceilings, for surface mounting, white

350-41763

4 year warranty

This presence detector (DALI daylight control, secondary) is suitable for surface-mounting on ceilings with a height of 4 – 8 m and can only be used in combination with a master to increase its detection range. The device follows the settings of the master. The sensitivity of the secondary detector, though, can be set separately. A maximum of ten secondary detectors can be connected per master.

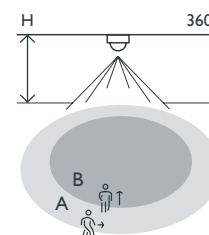
Finishing colour: white

Compatible master detectors: 350-41750, 350-41751, 350-41760, 350-41761, 350-41780, 350-41781

- All-in-one solution
- Large detection range of 32 m
- Can be programmed using the IR remote control 350-41934
- Fast, flexible installation thanks to the addressable DALI bus
- Replacement of a faulty DALI frame without reprogramming



Detection range



H ↓	A Across ↔	B Towards ↑
4 m	∅ 16 m	∅ 9.6 m
5 m	∅ 20 m	∅ 12 m
6 m	∅ 24 m	∅ 14.4 m
7 m	∅ 28 m	∅ 16.8 m
8 m	∅ 32 m	∅ 19.2 m



DALI



secondary



360°



∅ 32 m from
a height of
8 m



4 – 8 m



surface
mounting

niko

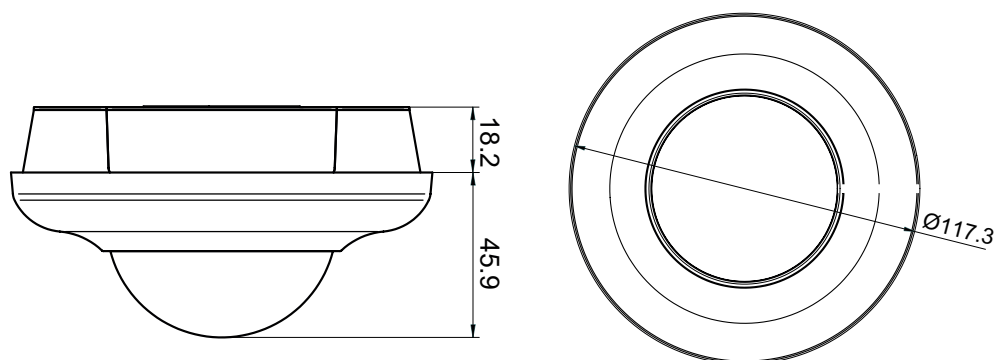
Technical data

Article number	350-41763
Compatible master detectors	350-41750, 350-41751, 350-41760, 350-41761, 350-41780, 350-41781
Input voltage	via the DALI bus
Detection angle	360 °
Detection range (PIR)	ø 32 m from a height of 8 m
Ambient temperature	-5 – +50 °C
Mounting method	surface mounting
Mounting height	4 – 8 m
Dimensions (HxWxD)	117.3 x 117.3 x 64.1 mm
Protection degree	IP54
Marking	CE

Accessories

350-41936	Universal remote control for smartphone
350-41934	IR-remote control for installers

Dimensions



Wiring diagram

