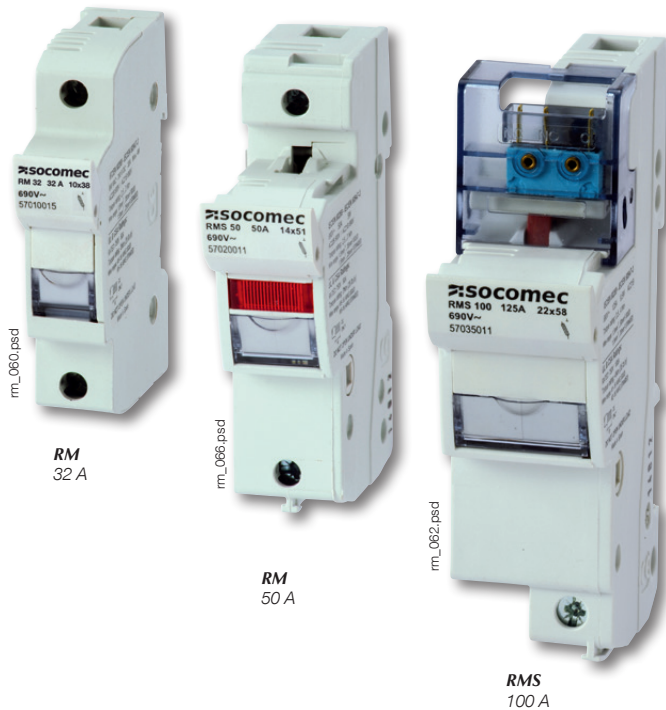


RM and RMS

Fused disconnectors

for industrial and ultra-fast cylindrical fuses up to 100 A



The solution for

- > Small outputs

Strong points

- > Improved safety
- > High breaking capacity
- > Format and specific accessories
- > Label holder

Extended range

- > Lock cradle, please contact us

Compliance with standards

- > IEC 60269-2-1
- > IEC 60269-1
- > IEC 60269-2
- > NF EN 60269-1
- > NF C 63-210
- > NF C 63211
- > VDE 0636-10
- > DIN 43620
- > CSA 265615
- > UL E307648



Approvals and certifications⁽¹⁾



(1) Product part numbers on request.

Function

RM and **RMS** are modular fuse disconnect switches for cylindrical fuses. They provide safety disconnection and protection against overloads and short-circuits in any low voltage electrical circuit.

- RM: Non-signalling fuse disconnect switches for fuses without strikers.
- RMS: Fuse disconnect switches with pre-breaking auxiliary contact that signals that the fuse is present / blown.

Advantages

Improved safety

- Omnipolar and simultaneous breaking.
- High dielectric strength. IP2X fuse.

Format and specific accessories

- Modular 45-mm cut-out.
- Locking possible with optional accessory.

High breaking capacity

Protection against overloads and short-circuits thanks to high breaking capacity fuses (100 kA ms).

References

RM - Non-signalling device

Basic device Fuse size	32 A ⁽¹⁾ 10 x 38		50 A ⁽²⁾ 14 x 51		100 A ⁽²⁾ 22 x 58	
	Available for order in multiples of	Reference	Available for order in multiples of	Reference	Available for order in multiples of	Reference
No. of poles						
1 P	12	5701 0015	6	5702 5001	6	5703 5001
1 P + N (1 module)	12	5701 5005				
1 P + N (2 modules)	6	5701 0017	3	5702 5005		
1 P LED signalling			6	5702 0011	6	5703 0011
2 P	6	5701 0020	3	5702 5002	3	5703 5002
3 P	4	5701 0018	2	5702 5003	2	5703 5003
3 P + N	3	5701 0019	1	5702 5004	1	5703 5004
4 P			1	5702 5006	1	5703 5006
N	12	5701 0016	6	5702 5000	6	5703 5000

(1) Devices are cURus and CSA-certified, except 5701 5005.

(2) Devices are cURus-certified.

RMS - Device with 1 signalling auxiliary contact (AC) ⁽¹⁾

Basic device Fuse size	50 A ⁽²⁾ 14 x 51		100 A ⁽²⁾ 22 x 58	
	Available for order in multiples of	Reference	Available for order in multiples of	Reference
No. of poles				
1 P	6	5702 5011	6	5703 5011
2 P	3	5702 5012	3	5703 5012
3 P	2	5702 5013	2	5703 5013
3 P + N	1	5702 5014	1	5703 5014
4 P	1	5702 5016	1	5703 5016

(1) The signalling auxiliary contact provides the pre-break, the fuse presence and also signals a blown fuse.

(2) Devices are cURus-certified.

Something to think about



10x38 RMs equipped with 0.5A gG fuses provide effective protection for voltage inputs and auxiliary power supplies for all our electronic devices (DIRIS, COUNTIS, ISOM, RESYS differential relays, etc...)

RM and RMS

Fuse disconnect switches

for industrial and ultra-fast cylindrical fuses up to 100 A

Accessories

Auxiliary contact

Use

1 or 2 NO/NC auxiliary contacts:

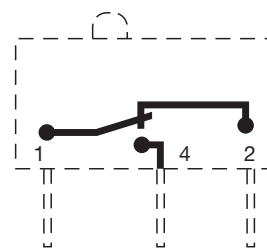
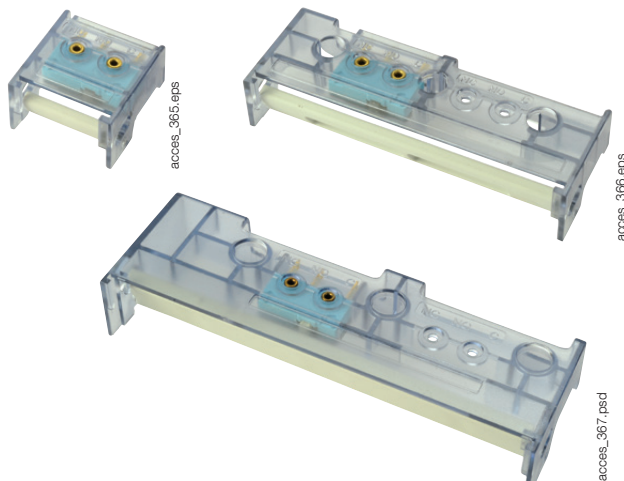
- RMS 50 and 100: pre-breaking, fuse is present / blown.
- RM 50 and 100: fuse blown.

Connection

By 6.35 mm fast-on terminal.

Characteristics		Operating current I _o (A)
Rating (A)	Contact type	250 VAC
50 ... 100	NO/NC contact	2.5
50 ... 100	Two-level NO/NC contact	0.1

References		
NO/NC contact	Contact	Reference
Rating (A)		
50	1 auxiliary contact with 1 P	5702 9901
50	1 auxiliary contact with 3 P	5702 9903
50	2 auxiliary contacts with 3 P	5702 9030
100	1 auxiliary contact with 1 P	5703 9901
100	1 auxiliary contact with 3 P	5703 9903
100	2 auxiliary contacts with 3 P	5703 9030



access_068_a_1_x_cat

RM and RMS

Fuse disconnect switches

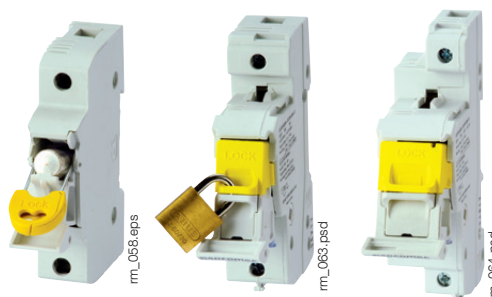
for industrial and ultra-fast cylindrical fuses up to 100 A

Key handle interlocking system

Use

Padlocking of the handle (padlock not supplied).

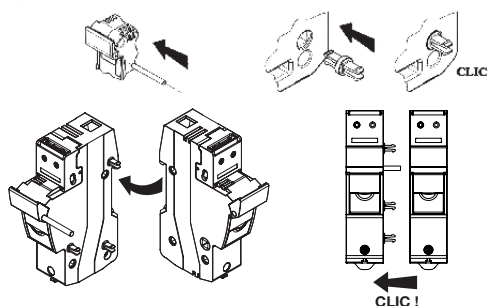
For RM and RMS		
Rating (A)	Quantity (units)	Reference
50	5	5702 9040



Coupling system for RM

For RM and RMS		
Rating (A)	Quantity (units)	Reference
32	12	5704 0003 ⁽¹⁾
50 ... 100	12	5702 9020 ⁽¹⁾

⁽¹⁾ One coupling to attach two RM/RMS.
Also sold in bags containing separate components
(bags of 100 pieces) for assembling larger quantities.
Contact us



RM and RMS

Fuse disconnect switches

for industrial and ultra-fast cylindrical fuses up to 100 A

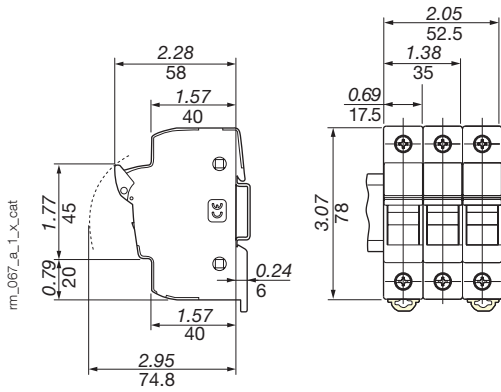
Characteristics according to IEC 60269-2

32 to 100 A

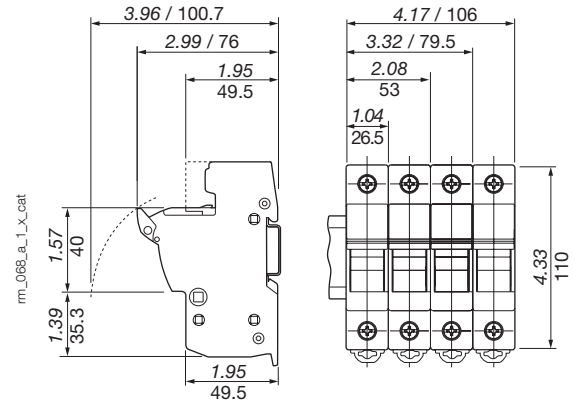
Thermal current I_{th} (20 °C)	32 A	50 A	100 A
Fuse size	10 x 38	14 x 51	22 x 58
Rated insulation voltage U_i (V)	690	690	690
Nominal power loss (W/P)	3	5	9,5 (max 12 W)
Protection degree	IP20	IP20	IP20
Fuse rating (A)			
at 400 VAC	32	50	100 A
at 500 VAC	32	50	100 A
at 600 VAC		50	100 A
gG fuse protected short-circuit withstand			
	Rated voltage		
Prospective short-circuit current (kA rms)	690 VAC	100	100
Prospective short-circuit current (kA rms)	400/500 VAC	120	120
Derating factor of operational current for N poles side by side			
N = 1 ... 3	1	1	1
N = 4 ... 6	0.8	0.8	0.8
N = 7 ... 9	0.7	0.7	0.7
N ≥ 10	0.6	0.6	0.6
Derating factor of operational current for N poles side by side			
20 °C	1	1	1
30 °C	0.95	0.95	0.95
40 °C	0.90	0.90	0.90
50 °C	0.80	0.80	0.80
60 °C	0.70	0.70	0.70
70 °C	0.60	0.60	0.60
Connection			
Min. cross-section of rigid/flexible Cu cables	0.75 mm ²	1.5 mm ²	1.5 mm ²
Max. cross-section of rigid Cu cables	16 mm ²	35 mm ²	50 mm ²
Max. cross-section of rigid Cu cables for RM32 1 P + N (1 module)	10 mm ²		
Max. cross-section of flexible Cu cables	16 mm ²	25 mm ²	35 mm ²
Max. cross-section of flexible Cu cables for RM32 1 P + N (1 module)	6 mm ²		
Clamping torque	2.5 Nm	3 Nm	4 Nm
Tightening torque for RM32 1 P + N (1 module)	2 Nm		
Dimensional data			
Weight of 1 P + N (kg)	0.057 / 0.06	0.1	0.155
Weight of 1 P + N (kg)	0.117	0.215	0.327
Weight of 3 P + N (kg)	0.229	0.415	0.632

Dimensions (in/mm)

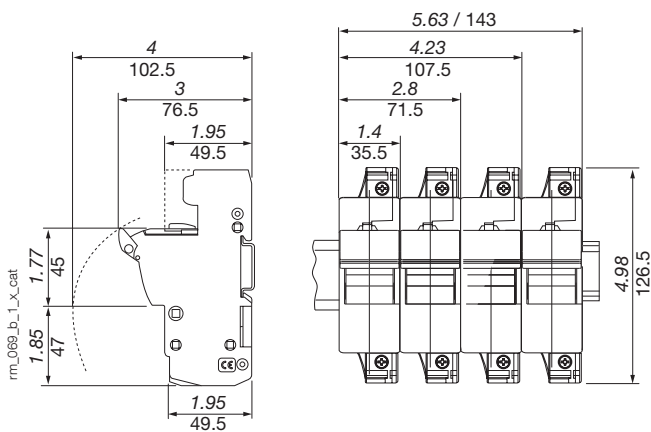
RM 32 A



RM / RMS 50 A single-pole and multi-pole



RM / RMS 100 A single-pole and multi-pole



RM 32 A Part no. 5701 5005

