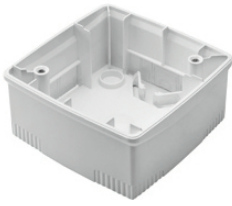


# Product Data Sheet

## GW16754

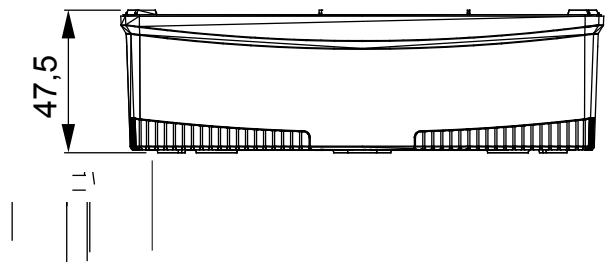
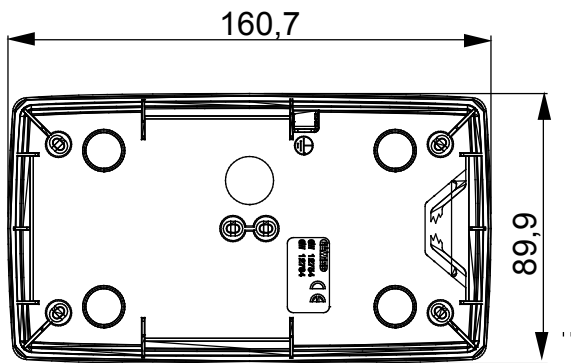
CHORUSMART - Domestic range



A range of tabletop panels, wall boxes and self-supporting wall enclosures suitable for housing ChorusSmart modular devices. Wall boxes and panels, available in black and white, must be completed with ChorusSmart support and One plates. The self-supporting enclosures, available in grey RAL 7035, are characterised in IP40 and IP55 versions: both have pre-cut knockouts, and the watertight version is also provided with a door with a transparent UV membrane. Self-supporting boxes and enclosures are designed to be fitted with an earth terminal.

Description	2+2 modules	Type	Vertical
Colour	Satin White	Characteristics	Halogen free
Support	GW16822	Suitable for plates	ONE International
Torque screws tightening	0.8 Newton/meter	Outer dim. LxHxD (mm)	90x161x46
Glow wire test	650 °C	Thermo-pressure with ball	70 °C
Standard	EN 60670-1	Installation temperature	-5 +60 °C
Electrocod	0110		

### DIMENSIONAL



### TECHNICAL SYMBOLOGY



GWT

650 °C



70 °C

INSTALLATION



### STANDARDS/APPROVALS

