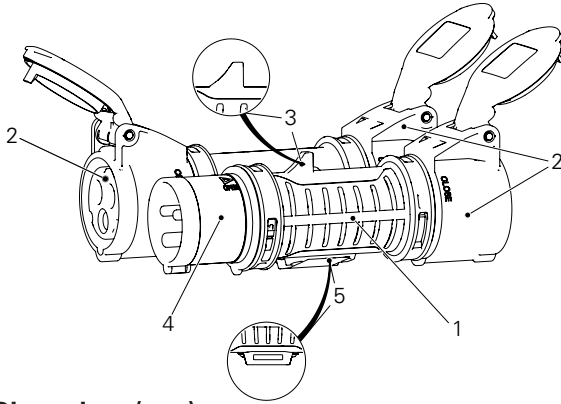


H-Connect

CEE connector 3 way 16A 3p IP44

Product description

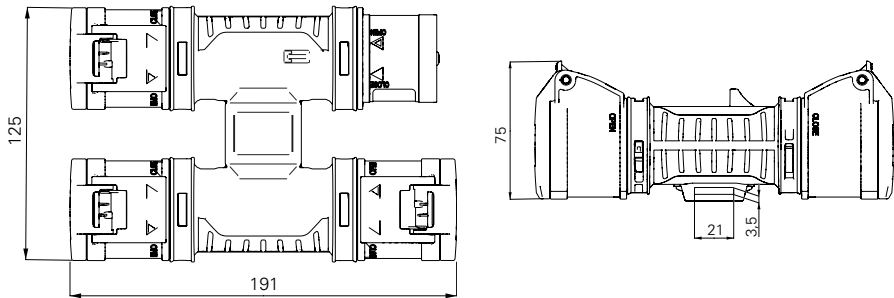
H-Connect is a CEE multiple socket-outlet 16A 3p IP44 with one CEE plug and three CEE socket-outlet.



Article number: 94327000

1. H-Connect enclosure
2. CEE socket-outlet with hinged lid
3. Retaining device
4. CEE plug
5. Suspension device

Dimensions (mm)



Technical data

Entry: CEE plug (x1)	16A 3p (2P+PE)
Outlet: CEE socket-outlet (x3)	16A 3p (2P+PE)
Ambient temperature	-25° C to +40° C
Storage temperature	-40° C to +70° C
IP degree of protection	IP44
Rated current	16 A
Rated operating voltage (see type label)	100 – 130 V AC (4h) / 200 – 250 V AC (6h)
Rated frequency	50 and 60 Hz
Contacts	Nickel-plated brass
Material CEE plug and socket-outlet	PA6
Material H-Connect enclosure	ABS
Absolute altitude	up to 2000 m NN
Weight	0,48 kg

Compliance

Product complies with the following requirements Low Voltage Directive 2014/35/EU, RoHS 2011/65/EU and 2015/863/EU and standards IEC/EN 60309-2.

Intended use

Product is suitable for:

- the use in horizontal position
- application with complementary plug-in accessory
- Use according to technical specifications

Misuse

The following use shall be deemed not to be intended and prohibited:

- Plugging into a fixed socket-outlet
- Direct sequential plugging of several H-Connect CEE connectors
- Covering with various materials
- Application in explosive atmosphere



PC Electric GmbH accepts no liability for any damage caused by non-observance of this quick guide

Safety information



WARNING

Risk of electric shock due to live equipment!

Ensure the tension-free condition by performing the following safety steps, before starting any work:

- Disconnect
- Secure against restarting
- Determine absence of voltage
- Ground and short-circuit
- Cover or isolate adjacent live parts

Responsibility of the operator



- Comply with country-specific directives, regulations and product standards
- Provide this quick guide
- Check the product for damage before each use

Commissioning

CEE multiple socket-outlet is a ready-to-connect accessory.



WARNING

Risk due to improper operation!

- Immediately remove product with contaminated or corroded contacts
- When inserting, make sure that the hinged lid hold into the retaining device

Care instruction

Clean product in a voltage-free state as required. Ensure compatibility of the cleaning agents used.

