

Product End-of-Life Instructions

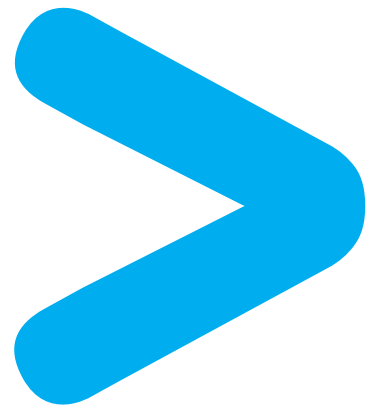
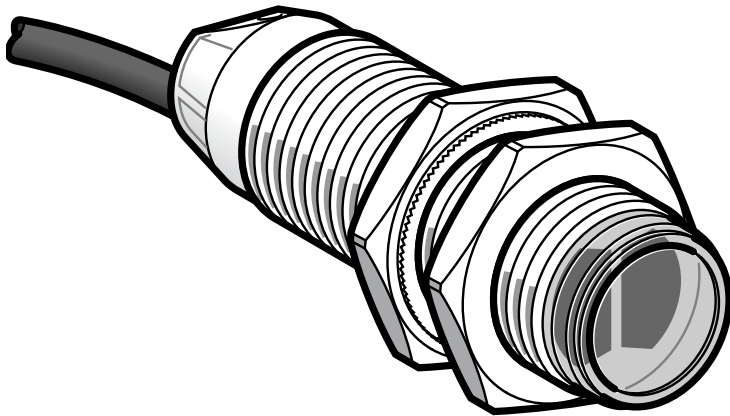
XU photoelectric sensors

Product Range

XU cylindrical photoelectric sensors

Marketing Model

XUB, XU1 to XU9 Photoelectric Sensors



Size in mm:

L x D : 65 x 18 for the body of XUB0APSNL2

Weight in g:

70 for XUB0APSNL2

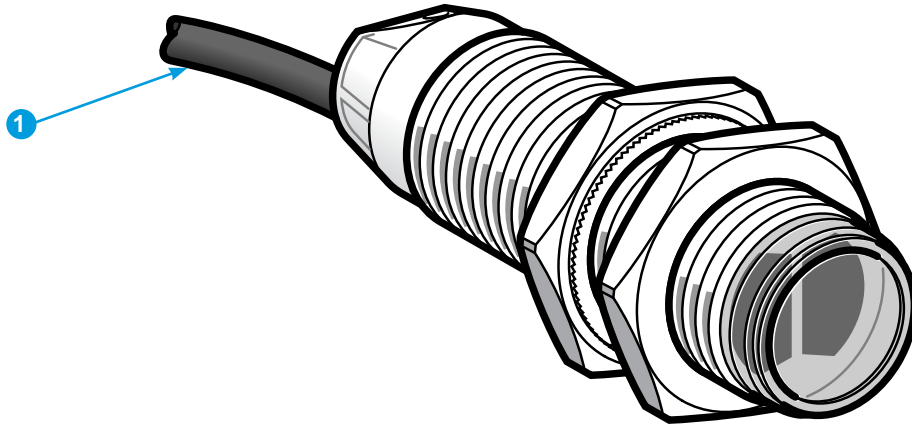


Operations recommended for the end of life treatment

There are several steps to process the products at the end of life so as to recover components, materials or energy:

Reuse ⇒ **Separation for special treatment** ⇒ **Other dismantling** ⇒ **Shredding**

The components of the products that are recommended to be separated from the flow of waste for special treatment are listed, identified and located hereunder.



Comment	Number on drawing	Components	Weight (g/m)	Comment
Special treatment	1	External electrical cable	25	To be cut and sent for special treatment

For more information please contact us at: global-green-sensors@schneider-electric.com.

Schneider Electric Industries SAS

35, rue Joseph Monier
CS30323
F - 92506 Rueil Malmaison Cedex

RCS Nanterre 954 503 439
Capital social 896 313 776 €
www.schneider-electric.com

The version of the Guide used to create the document: End of Life Instruction Drafting Guide of Schneider Electric version V3.

Publication : Schneider Electric