

52103300	DATA SHEET	
Valid from: 14.04.2023	SKINDICHT® SM-PE-M	

The SKINDICHT® SM-PE-M is an earth-equipotential locknut, nickel-plated brass with metric thread.

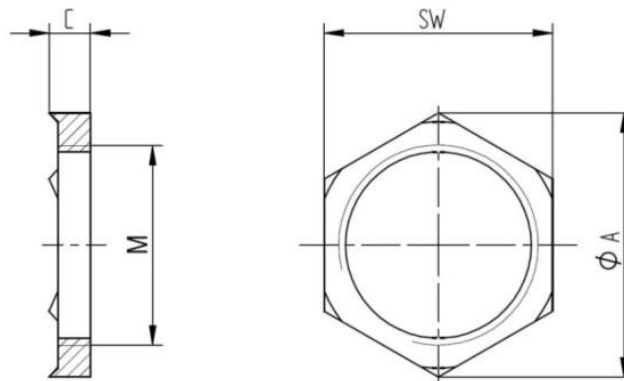
The SKINDICHT® SM-PE-M is required wherever varnished, anodized and powder coated housings are used. When the locknut is tightened, it cuts through the insulating layer guaranteeing optimum contact.



Technical features:

Material	Brass, nickel plated Brass lead free, nickel plated
Size	M12x1.5 up to M110x2 acc. to DIN EN 60423
Temperature range	-60°C up to +200°C

Norm references:



Thread M	Wrench Size SW mm	Diameter Ø A mm	Thickness C mm	Article No.	
				Brass	Brass Lead Free
M12x1,5	15	17,32	4,7	52103300	52103300LF
M16x1,5	19	21,94	4,7	52103310	52103310LF
M20x1,5	24	27,70	4,7	52103320	52103320LF
M25x1,5	30	34,60	5,2	52103330	-
M32x1,5	36	41,5	5,7	52103340	52103340LF
M40x1,5	46	53,1	6,5	52103350	-
M50x1,5	60	69,28	6,5	52103360	-
M63x1,5	70	80,83	7,0	52103370	-
M75x1,5	85	95	8	52103371	-
M90x2	102	114	10	52103372	-
M110x2	124	135	12	52103373	-

For more information please see our current catalogue. Please do not hesitate to contact our laboratory if there are any questions regarding resistance against aggressive agents and special oil.

Creator: MAU1 /PDP Released: DAMU1/PDP	Document: DB52103300EN Version: 08	Page 1 of 1
---	---------------------------------------	-------------