


53806740	DATA SHEET	
Valid from: 02.12.2021	SKINTOP® INOX / INOX-R	

Hygienically designed cable gland from high-grade stainless steel is suitable for an extremely wide variety of applications – including the food and pharmaceutical industries. The material and shape meet the high requirements of these sectors. The smooth design minimizes the accumulation of moisture, dust, contamination or food residue. The cable gland also offers great benefits for other applications, where the ambient conditions are harsh, such as those sited offshore. The compact design, the variable clamping range and the same wrench sizes simplify installation.



Components:

Gland body	Stainless steel – V4A (1.4404 / 316L)
Cap nut	Stainless steel – V4A (1.4404 / 316L)
Insert with lamellar cage	Polyamide
Sealing ring	Silicone
O-Ring	Silicone

Technical features:

Connecting thread	M12x1,5 up to M50x1,5 acc. to EN 60423
Protection class	Sizes M12, M16, M20: IP68 – 10 bar, test acc. to EN 60529 Sizes M25 up to M50: IP68 – 5 bar, test acc. to EN 60529 All sizes: IP69 according to EN 60529 NEMA Type 1, Type 2, Type 4X, Type 6, Type 12 according to UL50
Temperature range	-40 °C up to +100 °C
Chemical resistance	ECOLAB certification
Design	INOX standard INOX-R with reducing sealing ring (for smaller cable diameters)

Other characteristics:

Halogen-free
 Functional safety
 Optimal strain relief
 Variable clamping range

Certificates:



UL File Nr. 79903
 (Test in acc. to UL514B)

Norm References:




DIN EN ISO 14 159

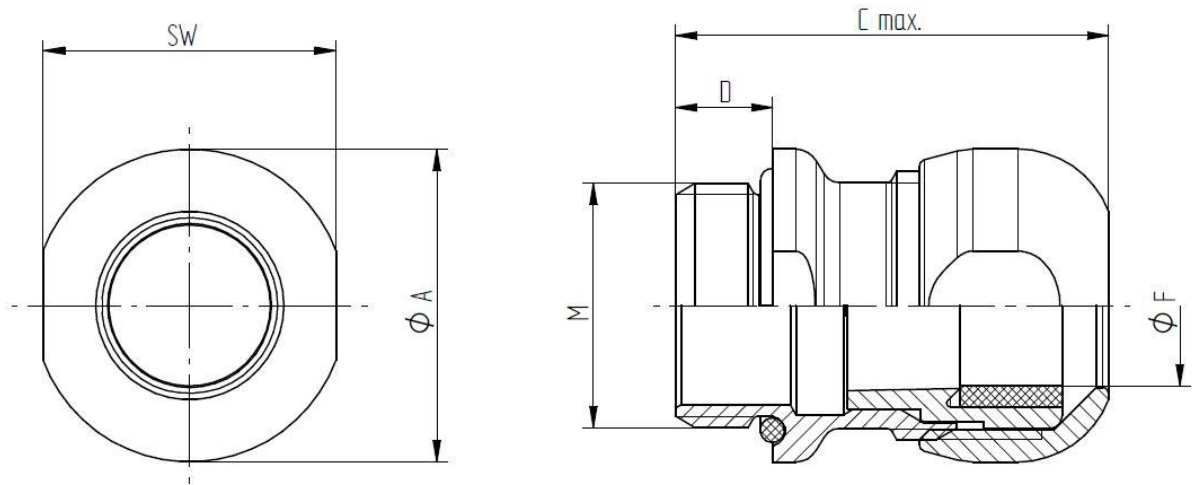
Safety of machinery - Hygiene requirements for the design of machinery

DIN EN 1672-2

Food processing machinery - Basic concepts -
 Part 2: Hygiene requirements

Creator: HYD01/PDP Released: RODR1/PDP	Document: DB53806740EN Version: 12	Page 1 of 2
---	---------------------------------------	-------------

53806740	DATA SHEET	
Valid from: 02.12.2021	SKINTOP® INOX / INOX-R	



SKINTOP® INOX

Article number	Article description	M	SW [mm]	Ø A [mm]	C max. [mm]	D [mm]	Ø F [mm] Clamping range	O-ring [mm]
53806739	SKINTOP INOX M12x1,5	M12x1,5	16	17,2	29,3	6,5	4,0-7,0	9x2
53806740	SKINTOP INOX M16x1,5	M16x1,5	20	21,4	32,4	7	6,0-10,0	13x2
53806741	SKINTOP INOX M20x1,5	M20x1,5	24	25,6	35,5	8	7,0-13,0	17x2
53806742	SKINTOP INOX M25x1,5	M25x1,5	29	30,8	39,2	8	9,0-17,0	22x2
53806743	SKINTOP INOX M32x1,5	M32x1,5	36	38,2	44,6	9	11,0-21,0	28x2
53806744	SKINTOP INOX M40x1,5	M40x1,5	45	48	51,2	9	19,0-28,0	36x2
53806745	SKINTOP INOX M50x1,5	M50x1,5	54	58	56,2	10	27,0-35,0	46x2

SKINTOP® INOX-R

Article number	Article description	M	SW [mm]	Ø A [mm]	C max. [mm]	D [mm]	Ø F [mm] Clamping range	O-ring [mm]
53806749	SKINTOP INOX-R M12x1,5	M12x1,5	16	17,2	29,3	6,5	3,0-5,0	9x2
53806750	SKINTOP INOX-R M16x1,5	M16x1,5	20	21,4	32,4	7	5,0-7,0	13x2
53806751	SKINTOP INOX-R M20x1,5	M20x1,5	24	25,6	35,5	8	6,0-10,0	17x2
53806752	SKINTOP INOX-R M25x1,5	M25x1,5	29	30,8	39,2	8	7,0-13,0	22x2
53806753	SKINTOP INOX-R M32x1,5	M32x1,5	36	38,2	44,6	9	8,0-15,0	28x2
53806754	SKINTOP INOX-R M40x1,5	M40x1,5	45	48	51,2	9	15,0-23,0	36x2
53806755	SKINTOP INOX-R M50x1,5	M50x1,5	54	58	56,2	10	22,0-29,0	46x2

For more information please see our current catalogue. Please do not hesitate to contact our laboratory if there are any questions regarding resistance against aggressive agents and special oil.

Creator: HYD01/PDP Released: RODR1/PDP	Document: DB53806740EN Version: 12	Page 2 of 2
---	---------------------------------------	-------------