
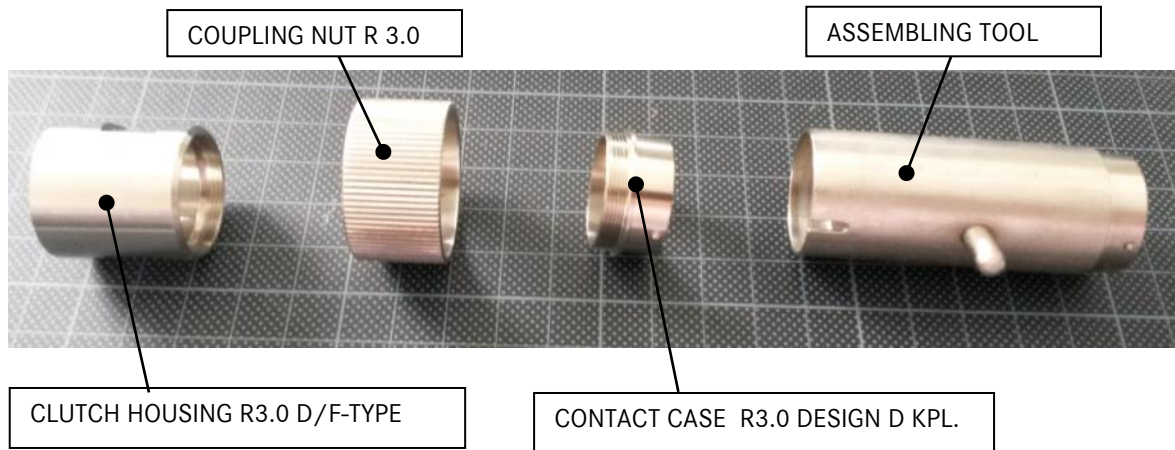


50200800	SHORT INSTRUCTION	
Valid from: 18.07.2018	ZYLIN [®] R 3.0 ASSEMBLY / DISASSEMBLY TOOL	


Short instruction how to use the EPIC[®] tool 50200800 and assemble the cable connector ZYLIN[®] R 3.0

Type D



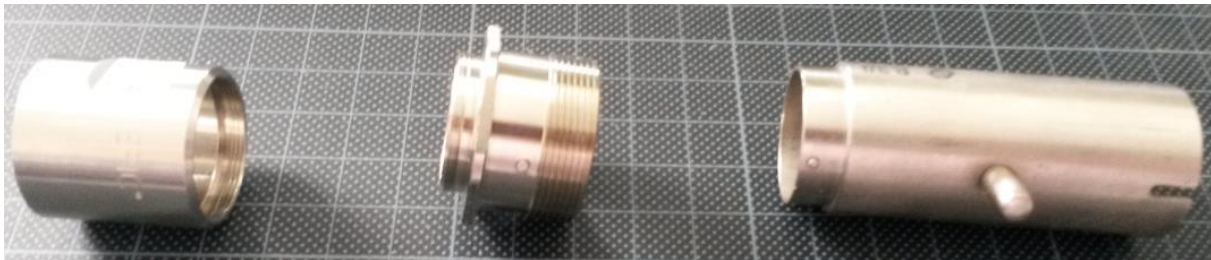
Attention: The insulation body and contacts are fixed in the contact case!

	<p>1. Fix the nib of the contact case with the notch of the assembling tool</p>
	<p>2. Lead the coupling nut over the contact case.</p>
	<p>3. Lead the clutch housing on the contact case.</p>
	<p>4. Screw the clutch housing on the contact case.</p>

50200800	SHORT INSTRUCTION	
Valid from: 18.07.2018	ZYLIN® R 3.0 ASSEMBLY / DISASSEMBLY TOOL	

Short instruction how to use the EPIC® tool 50200800 and assemble the cable connector ZYLIN® R 3.0

Typ F



CLUTCH HOUSING R3.0 D/F-TYPE

Contact case R3.0 DESIGN F KPL.

ASSEMBLING TOOL

Attention: The insulation body and contacts are fixed in the contact case!

	<p>1. Fix the notch of the contact case with the nib of the assembling tool</p>
	<p>2. Lead the clutch housing on the contact case.</p>
	<p>3. Screw the clutch housing on the contact case.</p>