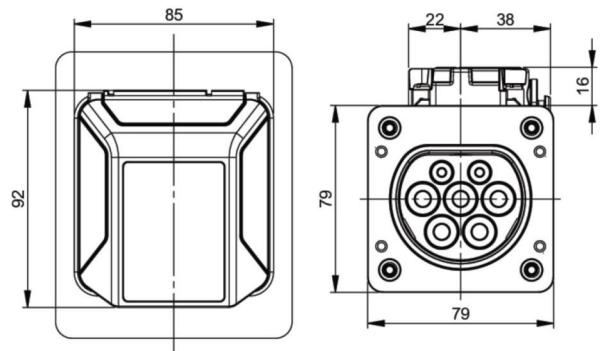


PCE data sheet

article#	e325-r
article description	eMobility Charging socket outlet Type 2 (rear panel mounting) IP44/54
description long	Infrastructure surface-mounted flange socket Type2 for charging electric vehicles (EV) with alternating current (AC) consisting of: surface mounted socket type2 (AC 32A), contacts: screw connection, brass nickel-plated locking actuator (DC 9-16V) frame with self-closing hinged lid intermediate flange (rear panel mounting) flange gasket mounting screws according to IEC/EN 62196, approval: VDE Protection rating: IP44/54
GTIN (EAN)	9003399496325
country of origin	AT
customs number	85366990
net weight	0.400 kg
packaging quantity	1
minimum order quantity	1

ETIM 8.0	EC002898
Model	Charging socket outlet
Standard	Type 2
Connection system	Screw connection
With interlocking actuator	True
With access interlocking	False
Degree of protection (IP)	IP54
Width	85 mm
Height	92 mm
Depth	97 mm
Nominal voltage	480 V
Max. Nennstrom	32 A
Type of current	AC 3-phase
Number of communication contacts	2
Cross section of the power contacts	2,5 – 6 mm ²
Contact material	CuZn
Surface treatment contacts	Nickel-plated

wire flexible	2,5-6 mm ²
contact screws	120 (L1-L3,N,PE) / 80 (CP,PP) Ncm
stripping length	15 (PE) / 12 (L1-L3,N) / 10 (CP,PP) mm



<https://www.pcelectric.at/shop/en/?func=detail&artnr=e325-r>



www.manufacturer-safety.info