



# Ledinaire SlimDownlight

## DN065B G4 20S/830\_840\_865 PSU-E D200 RD

Ledinaire SlimDownlight, 19 W, 2000 lm, 3000 K, Beam angle 100°, White

The LEDINAIRE range contains a selection of popular off-the-shelf LED luminaires that come with the high Philips quality levels at a competitive price. Reliable, energy-efficient and affordable – just what you need

### Product data

General Information	
Light source replaceable	No
Number of gear units	1 unit
Driver included	Yes
Value ladder	Value
Light Technical	
Luminous Flux	2,000 lm
Luminous Efficacy (rated) (Nom)	105 lm/W
Correlated Color Temperature (Nom)	3000 K
Color rendering index (CRI)	80
Flickering value (PstLM) - EN 61000-3-3	0.9
Flickering value as per EN 61000-3-3	
Operating and Electrical	
Stroboscopic effect visibility measure (SVM)	0.3
Light source color	3000/4000/6500
Optic type	Beam angle 100°
Luminaire light beam spread	110°
Unified glare rating CEN	28
Photobiological safety according to EN 62471	RG0
Input Voltage	220 to 240 V
Input Frequency	50 or 60 Hz
Inrush current	6 A
Inrush time	0.15 ms
Power Consumption	19 W
Power Factor (Fraction)	0.9
Connection	Push-in connector 3-pole

# Ledinaire SlimDownlight

<b>Cable</b>	Cable with connector 2-pole
<b>Number of products on MCB of 16 A type B</b>	126
<b>Temperature</b>	
<b>Ambient temperature range</b>	-20 to +40 °C
<b>Controls and Dimming</b>	
<b>Dimmable</b>	No
<b>Constant light output</b>	No
<b>Mechanical and Housing</b>	
<b>Housing Material</b>	Metal
<b>Reflector material</b>	-
<b>Optic material</b>	Acrylate
<b>Optical cover material</b>	Polycarbonate
<b>Fixation material</b>	Steel
<b>Housing Color</b>	White
<b>Optical cover finish</b>	Frosted
<b>Overall height</b>	25 mm
<b>Overall diameter</b>	218 mm
<b>Approval and Application</b>	
<b>Ingress protection code</b>	IP20/44 [Finger-protected; wire-protected, splash-proof]
<b>Mech. impact protection code</b>	IK03 [0.35 J reinforced]
<b>Insulation Coverage</b>	Full coverage acc. to IEC 60598-1 9.0
<b>Rating</b>	
<b>Protection class IEC</b>	Safety class II
<b>Glow-wire test</b>	Temperature 650 °C, duration 30 s
<b>Flammability mark</b>	For mounting on normally flammable surfaces
<b>CE mark</b>	CE mark
<b>Warranty period</b>	5 years
<b>EU RoHS compliant</b>	Yes

## Initial Performance (IEC Compliant)

<b>Luminous flux tolerance</b>	+/-10%
<b>Initial chromaticity</b>	(ANSI3000K, 0.4339, 0.40334000K0.3761;0.3658ANSI6500K0.3123;0.3283) 5SDCM
<b>Power consumption tolerance</b>	+/-10%

## Over Time Performance (IEC Compliant)

<b>Median useful life L70B50</b>	50,000 hour(s)
<b>Lumen maintenance at median useful life* 50000 h</b>	L70

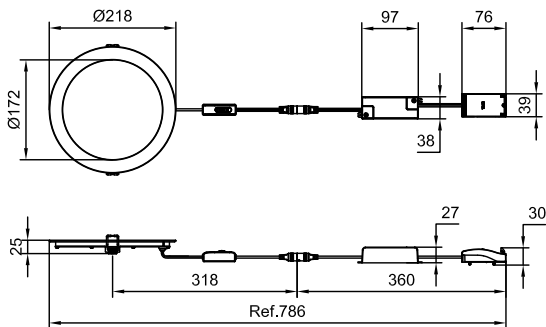
## Application Conditions

<b>Suitable for random switching</b>	Not applicable
--------------------------------------	----------------

## Product Data

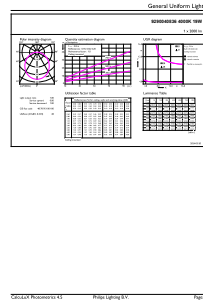
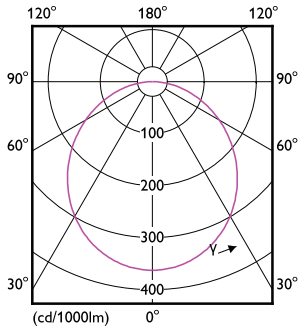
<b>Order product name</b>	DN065B G4 20S/830_840_865 PSU-E D200 RD
<b>Full product name</b>	DN065B G4 20S/830_840_865 PSU-E D200 RD
<b>Full product code</b>	872016930397301
<b>Order code</b>	929004083632
<b>Material Nr. (12NC)</b>	929004083632
<b>Numerator - Quantity Per 1 Pack</b>	
<b>Net Weight (Piece)</b>	0.420 kg
<b>EAN/UPC - Product/Case</b>	8720169303973
<b>Numerator - Packs per outer box</b>	12
<b>EAN/UPC - Case</b>	8720169303980

## Dimensional drawing



# Ledinaire SlimDownlight

## Photometric data



Light Distribution Diagram - DN065B G4 20S/830\_840\_865 PSU-E D200 RD

General uniform lighting - DN065B G4 20S/830\_840\_865 PSU-E D200 RD

