

LED Floodlight Motion Sensor

<div data-bbox="287 246 363 324" data-label="Text"> <p>Item Code</p> </div>	<div data-bbox="523 246 600 324" data-label="Image"> </div>	<div data-bbox="1021 235 1157 436" data-label="Image"> </div>
<div data-bbox="263 380 383 414" data-label="Text"> <p>140065060</p> </div>	<div data-bbox="534 380 614 414" data-label="Text"> <p>0.18kg</p> </div>	

Type	A (mm)	B (mm)	C (mm)	D (mm)	E (mm)	F (mm)
LED FL-E Motion-Sensor	280	75	40	75	25.3	115

Motion Sensor Connection

①

output

input

waterproof junction box

Connect the sensor Output line to the Luminaire line

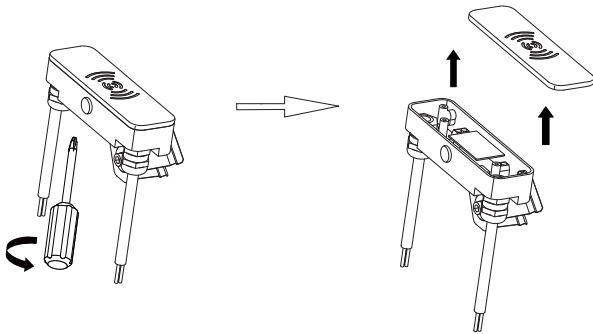
ATTENTION: IP65 Waterproof Junction Box required (not included)

②

③

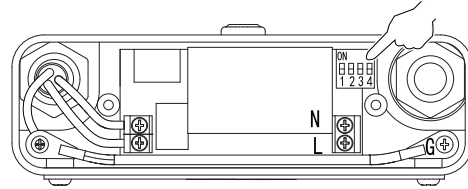
Motion Sensor Settings Change

①

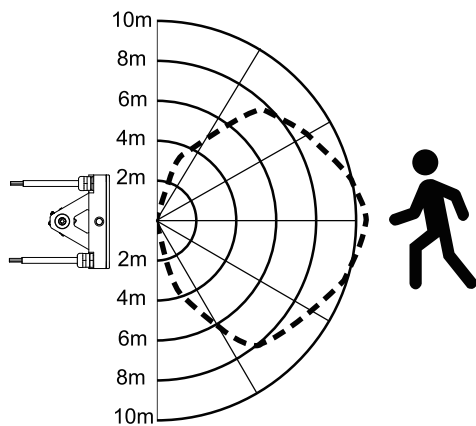


②

Detection Area			Hold Time			Daylight Detection			
1	2	3	2	3		4			
I	ON	50%	I	ON	ON	20min	I	ON	Enable
			II	-	ON	3min			
II	-	100%	III	ON	-	90s	II	-	Disable
			IV	-	-	5s			



Motion Sensor Detection Range



In case of damage to the wires, it has to be replaced only by the manufacturer, distributor or an expert to avoid risks.

Zur Vermeidung von Risiken müssen defekte Leitungen ausschließlich vom Hersteller, Inverkehrbringer oder Fachmann ausgetauscht werden.

