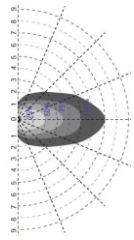
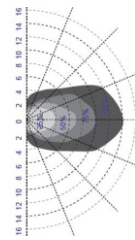


Detection area at wall mounting 2m installation



Normal moving (Speed:1m/s)

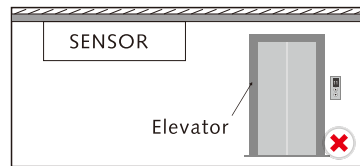
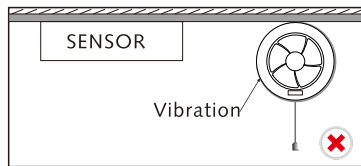


Slow moving (Speed:0.3m/s)

Remark: 1. Default sensor sensitivity setting at 25%.
2. Measurement under indoor application, for outdoor application the detection range may change.

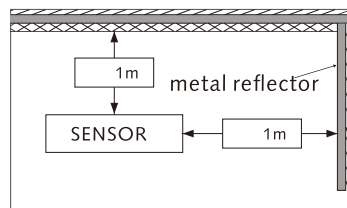
Note:

- Blowing and raining may trigger the sensor which without weatherproof design.
- Any vibration or movement signal may trigger the sensor. Ensure the sensor is far from such the signal.

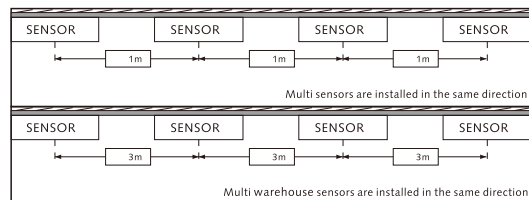


3. The detection range of the sensor is related to the moving speed and size of moving object, mounting height, installation height and angle, installation site, reflectors around the sensor etc. The data in the document is typical value and tested by a 165cm person in an open indoor area. The detection range at wall mounting will be longer at ceiling mounting. Please reduce detection sensitivity at wall mounting or contact us to confirm the sensor data settings.

4. The sensor should not be placed in a small confined space. To avoid increasing the sensor detection range or abnormal operation, the sensor should keep away from large areas of metal and glass reflectors (separation distance at least 1 m). Pls reduce the detection area setting to use or contact Merrytek to confirm the situation, once the sensor works improperly.



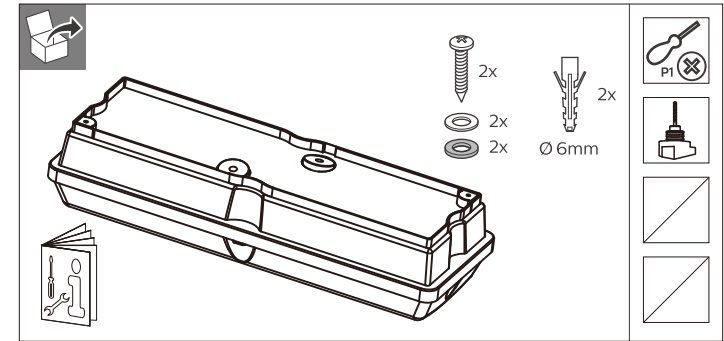
5. When multiple sensors are installed side-by-side in the same direction, the distance between each other should be kept at least 1m (the warehouse sensors at least 3m) to avoid mutual interference.



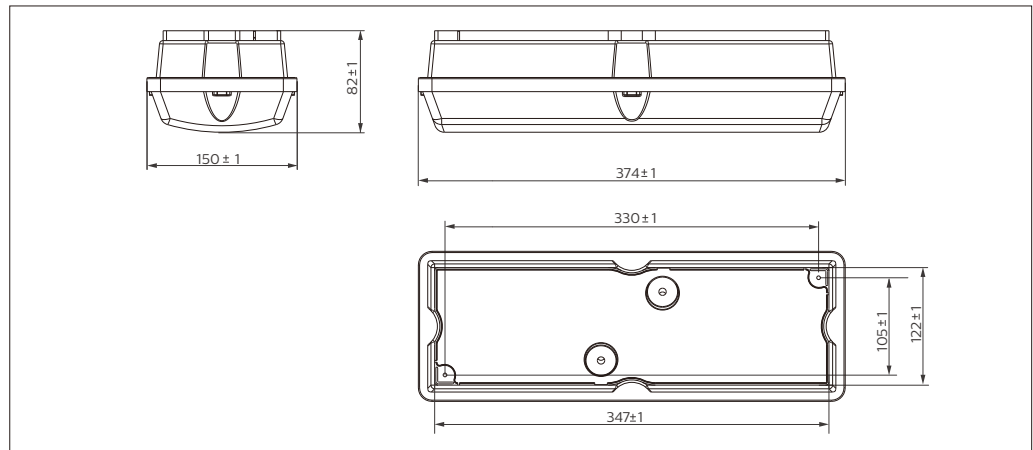
PHILIPS

Ledinaire Square Wall-Mounted

WLO55V



	System lumen	CCT	Driver	P(w)	Energy Efficiency Class of Light source	kg
WLO55V LED6S/830 PSU WH	600lm	3000K	PSU	6	D	0.7
WLO55V LED6S/840 PSU WH	630lm	4000K	PSU	6	D	0.7
WLO55V LED6S/830 PSR MDU WH	600lm	3000K	MDU	6	D	0.75
WLO55V LED6S/840 PSR MDU WH	630lm	4000K	MDU	6	D	0.75

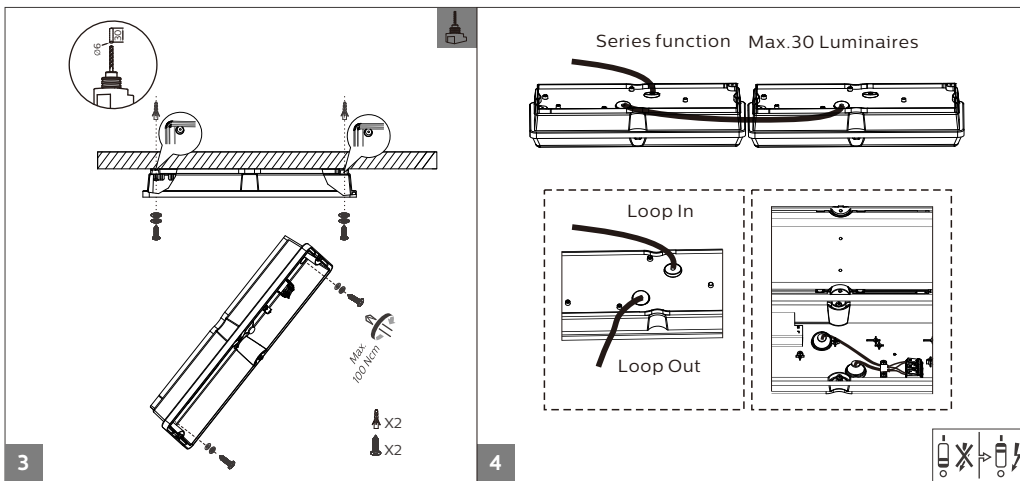
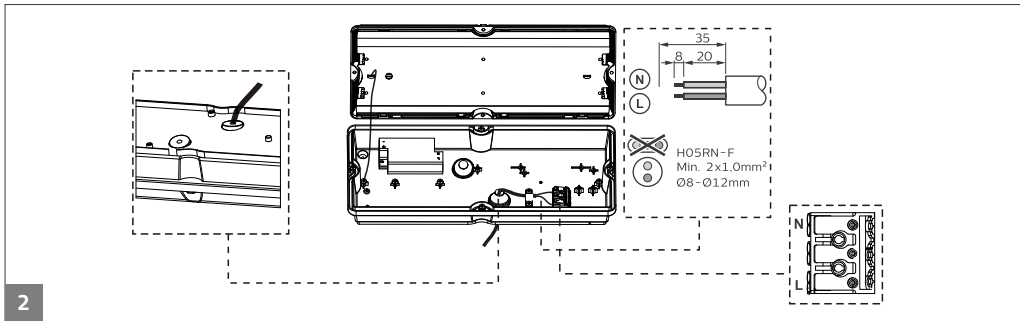
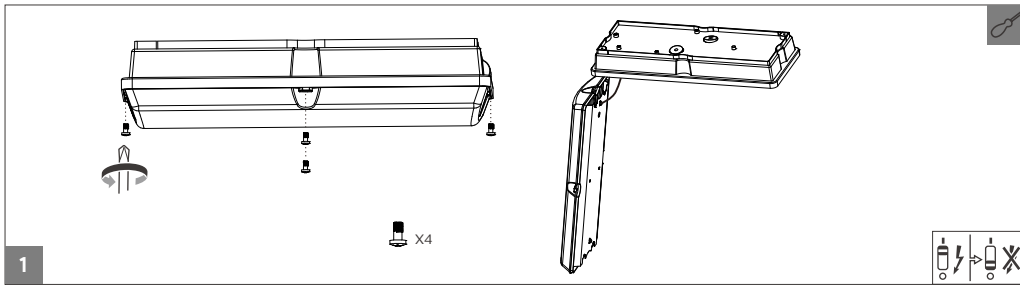


! -The luminaire shall be installed by a qualified electrician and wired in accordance with the latest IEE electrical regulations or the national requirements.

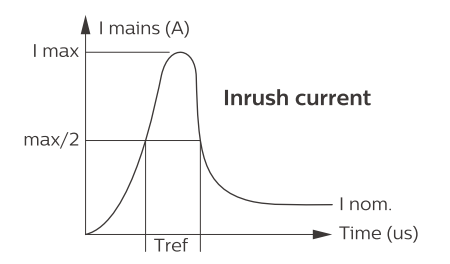
-LED board & led driver are not serviceable and replaceable.

-The light source contained in this luminaire shall only be replaced by the manufacturer or his service agent or a similar qualified person.

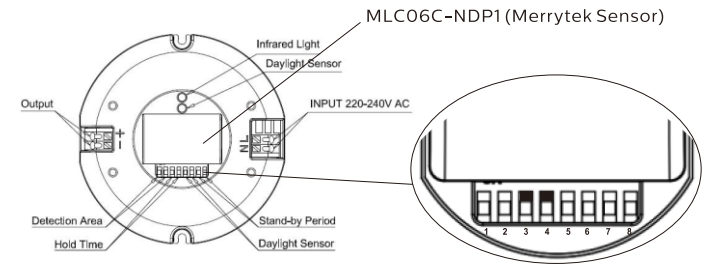
! ATTENTION
OBSERVE PRECAUTIONS
FOR HANDLING
ELECTROSTATIC
SENSITIVE
DEVICES.



LED6S		LED6S	
(PSU) Electrical characteristics		(MDU) Electrical characteristics	
I _{max} (A)	5	I _{max} (A)	9.6
T _{ref} (μs)	250	T _{ref} (μs)	80
MCB	luminaires Max.	MCB	luminaires Max.
B-10 A	50	B-10 A	88
B-13 A	64	B-13 A	113
B-16 A	79	B-16 A	140
C-10 A	82	C-10 A	146
C-13 A	106	C-13 A	189
C-16 A	134	C-16 A	238



Motion Sensor (WL055V LED6S MDU)



By Selecting the combination on the DIP Switch, sensor data can be precisely set for each specific application
 Factory Setting of Sensor:25%/5S/Disable/+∞

- * Recommended setting
 - 1.Installation mode:Ceiling mounting
Sensitivity:100%
 - 2.Installation mode:Wall mounting
Sensitivity: 25%

How to adjust the sensor

	1	2	
I	ON	ON	100%
II	ON	-	75%
III	-	ON	50%
IV	-	-	25%

	3	4	
I	ON	ON	5 S
II	ON	-	1 min
III	-	ON	5 min
IV	-	-	10 min

	5	6	daylight threshold	daylight priority
I	ON	ON	5 Lux	5 Lux/50 Lux
II	ON	-	25 Lux	25 Lux/100 Lux
III	-	ON	50 Lux	50 Lux/150 Lux
IV	-	-	Disable*	Disable*

Detection area (default 25%)
 Detection area can be adjusted by selecting the combination on the DIP switches to fit each application.

Hold time (default 5 s)
 Refers to the time period the luminaire remains at 100% change over where luminaire after no motion detected.

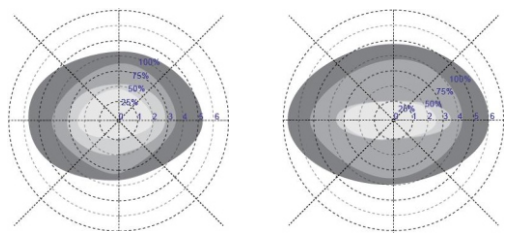
Daylight sensor (Disable)
 The sensor can be set to only allow the luminaire to change over where luminaire below a defined ambient brightness threshold.

	7	8	
I	ON	ON	0.5
II	ON	-	1 min
III	-	ON	10 min
IV	-	-	+∞

Stand-by Period (+∞)
 Refers to the time period of the luminaire remains at a low light level before it completely switches off. when set to "+∞" mode, the luminaire will not switch off and keep low light until motion is detected.

*Disable means the daylight sensor does not work. The sensor will turn on light once motion is detected regardless of ambient light level.

Detection area at ceiling 3m installation



Remark:
 1.Default Sensor sensitivity setting at 100%
 2.Measurement under indoor application, for outdoor application the detection range may change.