

## Electronic Audible Signal Devices / Electronic Buzzers Installation 114

**Electr. Buzzer EM Contin. tone 24VDC BK**Part No.: **114.068.15****MECHANICAL DATA**

Height	43 mm
Diameter	43 mm
Materials	PC/ABS
Housing colour	Black
Protection category	IP30
Connection	Flat plug
Type of fixing	Built-in mounting
Working temperature minimum	-20°C
Working temperature maximum	+60°C
Weight with packaging	36 g
Product weight	23 g

**ELECTRICAL DATA**

Operating voltage	24V
Operating voltage type	DC
Operating voltage tolerance	+/- 10%
Rated operational voltage	24 VDC
Rated operational current	20 mA
Rated inrush current	500 mA
Protection class	Protection class 2
Pollution degree	2

**ACOUSTIC DATA**

Volume (max) at 1m distance	85,0 dB (A)
Acoustic signal image	Continuous tone
Audio frequency	2400 Hz
Acoustic service life	5,000 h minimum

**APPROVAL DATA**

Conforms with CE	Yes
Conforms with RoHS directive	Yes
WEEE	Yes
Conforms with ATEX-directive	No
Conforms with CCC	No
Conforms with UL	No
Conforms with FCC	No
Conforms with IC	No
EAC certificate available	Yes
Conforms with UKCA (Importer)	Yes (WERMA (UK) Ltd.)

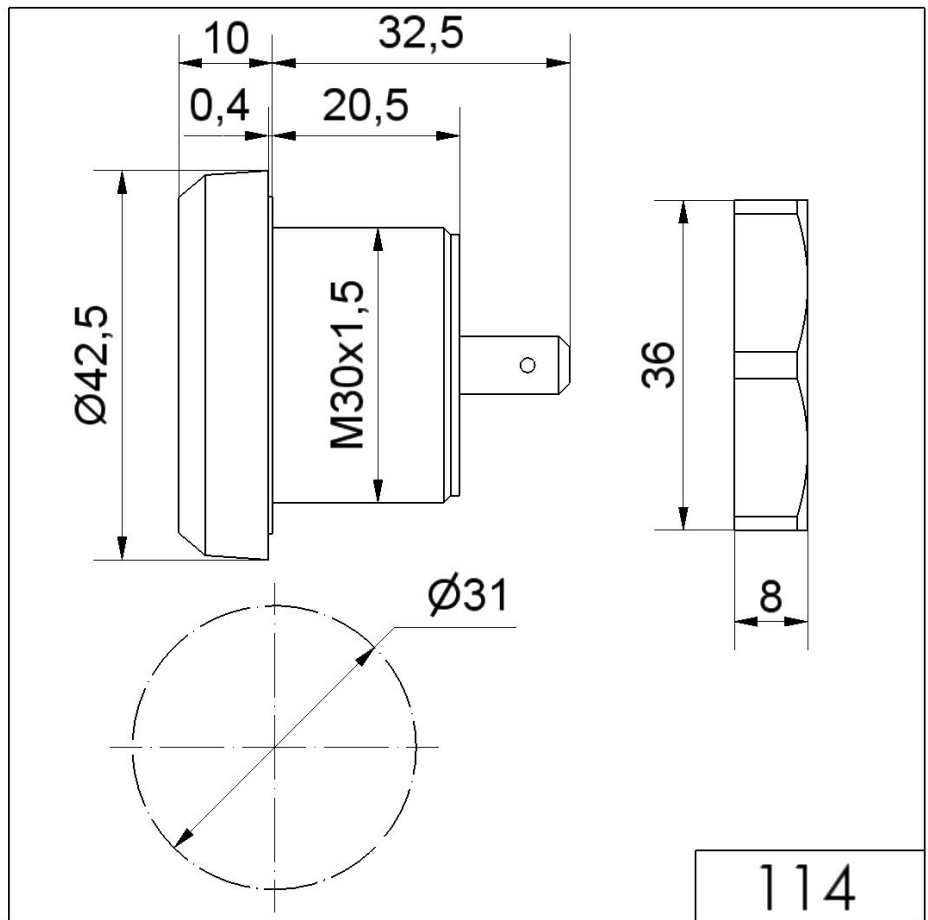


For additional installation and mounting information, refer to the appropriate user guide at [www.werma.com](http://www.werma.com). This printed copy is for information only and is subject to alteration.

Electronic Audible Signal Devices / Electronic Buzzers Installation 114  
**Electr. Buzzer EM Contin. tone 24VDC BK**

Conforms with AS-I	No
ICAO Certification	No
Conforms with DNV	No
Conforms with RoHS CN	No
Conforms with VdS	No

**DRAWING**



! For additional installation and mounting information, refer to the appropriate user guide at [www.werma.com](http://www.werma.com). This printed copy is for information only and is subject to alteration.