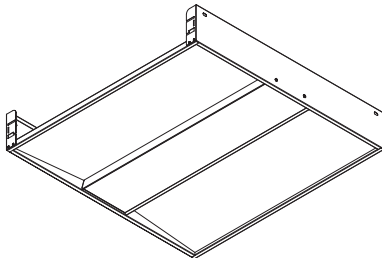
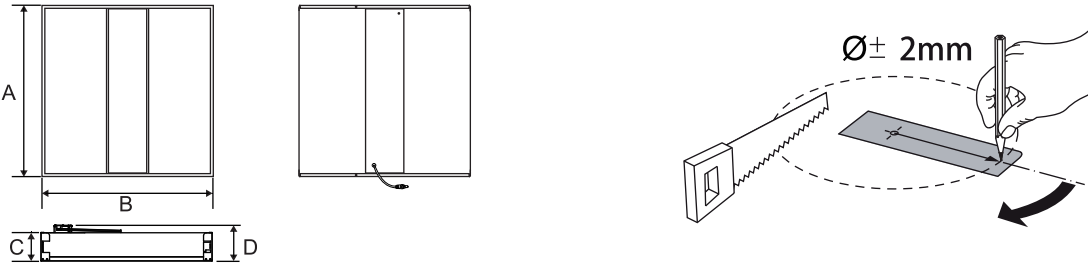
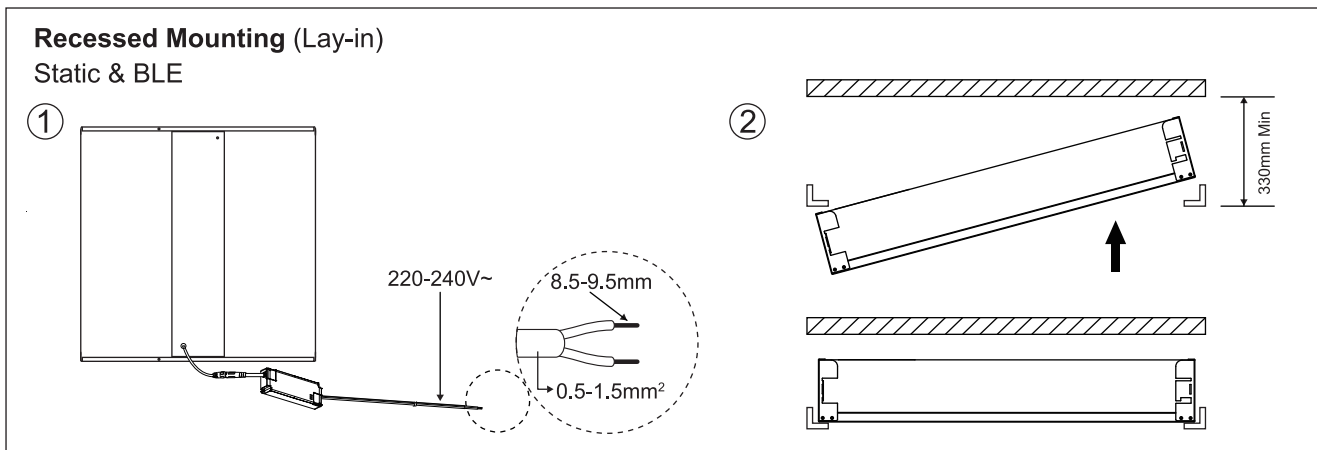
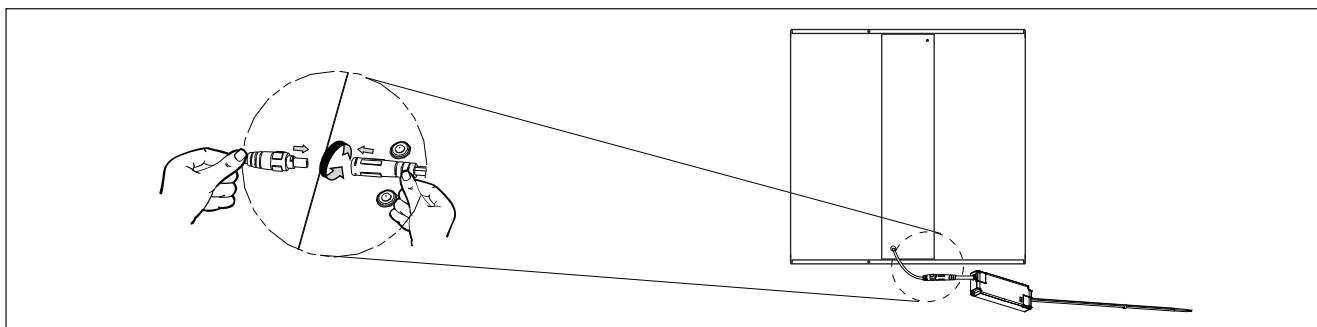
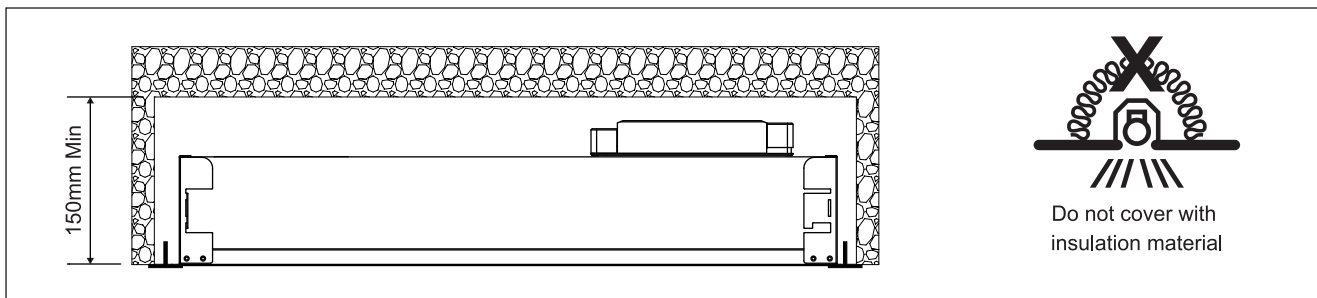


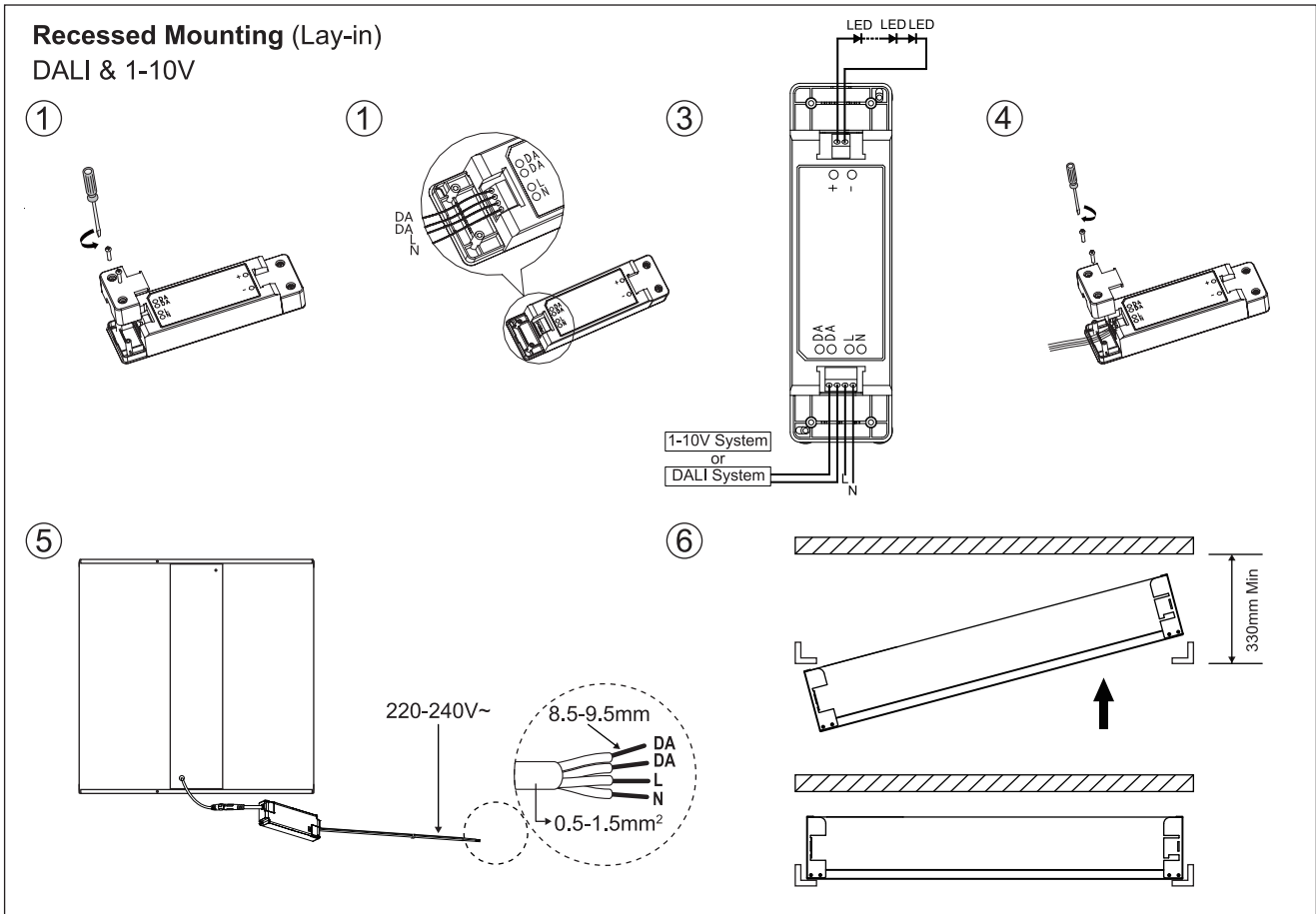
LED Panel Monza

Item Code	CCT	kg
542003016800	3000K	4.18kg
542003016900	4000K	4.18kg
542003015200	3000K	4.18kg
542003015300	4000K	4.18kg
542003015600	3000K	4.18kg
542003015700	4000K	4.18kg
542003016000	3000K	4.18kg
542003016100	4000K	4.18kg

Model Name	A (mm)	B (mm)	C (mm)	D (mm)	Cut out (mm)	Rated Voltage	Frequency	Rated Power
LED PL-RC-Mo SQ595-35W U19	595	595	100	125	595×595	220-240V~	50/60Hz	35W
LED PL-RC-Mo SQ595-35W DALI U19	595	595	100	125	595×595	220-240V~	50/60Hz	35W
LED PL-RC-Mo SQ595-35W BLE U19	595	595	100	125	595×595	220-240V~	50/60Hz	35W
LED PL-RC-Mo SQ595-35W 10V U19	595	595	100	125	595×595	220-240V~	50/60Hz	35W





Luminaires not suitable for covering with thermally insulating material.
Leuchten sind nicht mit thermisch isolierenden Materialien abzudecken.

In case of damage to the wire, it has to be replaced only by the manufacturer distributor or by an expert, to avoid risks.



Caution: Any operation on LED module is forbidden while power-on.
Zur Vermeidung von Risiken müssen defekte Leitungen ausschließlich vom Hersteller, Inverkehrbringer oder Fachmann ausgetauscht werden.
Achtung: In Betrieb ist keine Arbeit am LED-Modul erlaubt.



For non-user replaceable light sources:
The light source contained in this luminaire shall only be replaced by the manufacturer or his service agent or a similar qualified person.

Das Leuchtmittel dieser Leuchte ist nicht austauschbar. Wenn das Leuchtmittel das Ende seiner Lebensdauer erreicht hat, muss die gesamte Leuchte ersetzt werden.

Terminal block not included. Installation may require advice from a qualified person.
Only use suitable connection boxes with internal terminal blocks conform to EN60998-2-1 or EN60998-2-2 Terminal should be capable for at least 450V 16A, 0.75mm² wiring.

Data subject to change/ Les données sont sujettes à modifications Änderungen vorbehalten

Opplé Lighting Electronic (Zhongshan) Co., Ltd.
Building A, No.275 Dongan Bei Road,
Haizhou District,
Guzhen Town,
Zhongshan City,
Guangdong, China.

OPPLE Lighting B.V.
Materiaalweg 6-6A
5681 RJ Best
The Netherlands
service@opple.com
www.opple.com

